

## Platea Pro

Design Jean-Michel  
Wilmotte

iGuzzini

Last information update: December 2024

### Product configuration: P828

P828: Platea Pro



### Product code

P828: Platea Pro

### Technical description

Outdoor luminaire with a SuperSpot optic, designed to use RGBW LED lamps. Made up of an optical assembly with a base and an aluminium alloy frame. The painting stage consists of a primer and a liquid acrylic paint, cured at 150 °C, with a high level of weather and UV ray resistance. With a 5 mm thick colourless transparent tempered sodium-calcium glass cover. The product can be tilted by +5°/-90° around the vertical plane with a 10° step graduated gauge and fitted with mechanical blocks that guarantee stable aiming of the beam of light. Horizontal aiming is performed using the slots in the base, which allow an ±30° adjustment. High visual comfort. Polymer optic lenses offering high yield and even light distribution. Circuit complete with single chip RGBW (Red, Green, Blue and White) LEDs and a DMX512-RDM electronic control driver. Extractable control gear connected with quick-coupling connectors. 220-240V ac 50/60Hz DALI electronic ballast. Replaceable control gear. All the screws used are made of A2 stainless steel.

### Installation

The luminaire can be installed at ground level or on walls using the standard base.

### Colour

White (01) | Black (04) | Grey (15) | Rust Brown (F5)

### Weight (Kg)

5.35

### Mounting

wall arm|wall surface|ground anchored

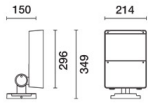
### Wiring

Luminaire ready for pass-through wiring. Product perfect watertightness at the power cable entry point is guaranteed by 2 nickel-plated brass M24x1.5 cable clamps, suitable for cables with a max external 14mm ø (1.5mm² cross section). Push in terminal board.

### Notes

Available accessories include: a refractor for elliptical light flow distribution, diffusing glass, visor, directional flaps, protective grille .

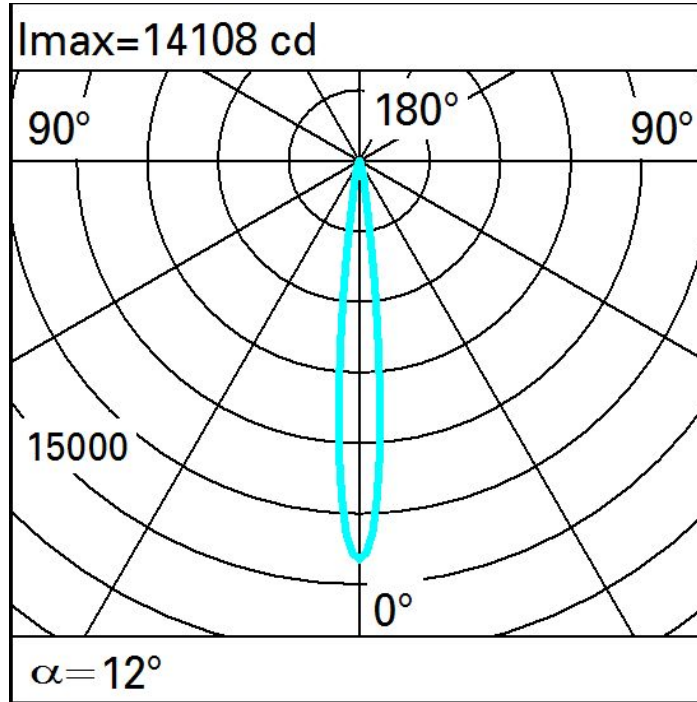
Complies with EN60598-1 and pertinent regulations



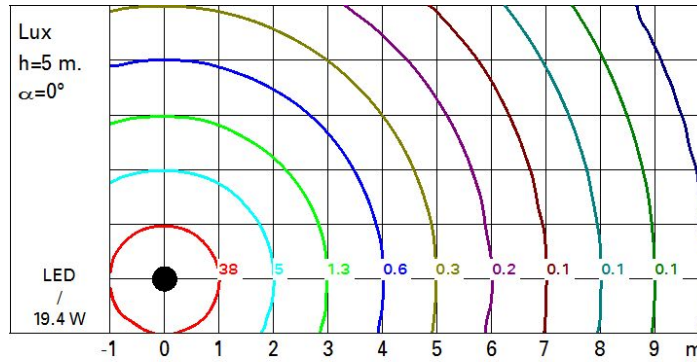
### Technical data

lm system:	816	Life Time LED 1:	100,000h - L80 - B10 (Ta 25°C)
W system:	19.4	Life Time LED 2:	83,000h - L80 - B10 (Ta 40°C)
lm source:	1200	Voltage [Vin]:	230
W source:	12	Lamp code:	LED
Luminous efficiency (lm/W, real value):	42.1	Number of lamps for optical assembly:	1
lm in emergency mode:	-	ZVEI Code:	LED
Total light flux at or above an angle of 90° [Lm]:	0	Number of optical assemblies:	1
Light Output Ratio (L.O.R.) [%]:	68	Intervallo temperatura ambiente:	from -30°C to 50°C.
Beam angle [°]:	12°	Power factor:	See installation instructions
CRI (typical):	82	Control:	DMX-RDM
Colour temperature [K]:	RGBW - 4000K		

Polar



Isolux



Illuminances

