


High efficiency linear system for exterior applications. Patented optic Opti Beam linear delivers superior performance with 8 distributions, symmetric, asymmetric grazer and elliptical distributions. Integral honeycomb, longitudinal and transversal louver for improved visual comfort.
 Design: Jean-Michel Wilmotte

| | |
|----------------------------|--|
| Luminaire characteristic: | Power input: 4W/ft, 7.2W/ft or 12.4W/ft Lumens: Up to 1130lm/ft (for 3000K, 80CRI) Luminaire efficacy: Up to 106lm/W |
| Source: | White LED (LM-80), 2700K, 3000K, 4000K: 80CRI. |
| Lumen maintenance: | 100 000 hours L80 for maximum wattage. |
| Optic: | 12°X12°, 38°X38°, 42°X42°, 13°X18°, 20°X20°, 20°X60°, 25°X35°, 40°X85°. |
| Material: | Body: Extruded aluminum End caps: Die-cast aluminum alloy Protective screen: 3/16" (4mm) sodium-calcium tempered sealing glass with silk screen. Optic diffuser: PMMA (polymethyl methacrylat) Hardware: Stainless steel. |
| Mounting: | Universal Surface mounting, using mounting accessories (included). Supplied with 6.5' (2000mm) long cable (page 6). |
| Electrical: | Integral high efficiency LED driver, rated at 50 000 hours. 120V/277V. |
| Dimming: | 0-10V dimming (120-277V), down to 1%. |
| Temperature of operation: | -22°F to 113°F (-30°C to 45°C) |
| Glass surface temperature: | 104°F (40°C) maximum. |
| Finish: | Gray painted (RAL9007) with a high level of weather and UV resistance. The semi-gloss finish coating is electrostatically applied, durable acrylic enamel baked at high temperatures for superior color retentive finish. |
| Weight: | 1.9lb/ft (0.86kg/ft) |
| Warranty: | 5 year limited warranty. |
| Ratings: | IP66, IK06 |
| Certification: |  cULus listed for wet location |

ORDERING INFO

ILM47 - - - - - UNV 15 D10
FIXTURE



MODEL

LM47 - Linealuce 47

LENGTH⁽¹⁾

120VAC

| OUTPUT | MAX LENGTH |
|--------|--------------|
| BO | 175' (53.3m) |
| MO | 100' (30.4m) |
| HO | 55' (16.7m) |

277VAC

| OUTPUT | MAX LENGTH |
|--------|---------------|
| BO | 415' (126.4m) |
| MO | 230' (70.1m) |
| HO | 130' (39.6m) |

OUTPUT

BO - Base output **MO** - Medium output **HO** - High output

LED

827 - 2700K, 80CRI **830** - 3000K, 80CRI **840** - 4000K, 80CRI

OPTIC

Symmetrical

12°X12°
 38°X38°
 42°X42°

Grazer

13°X18°
 20°X20°
 20°X60°

Elliptical

25°X35°⁽²⁾
 40°X85°⁽²⁾

MOUNTING

M (Surface) **G** (Ground spike)⁽³⁾
 1 - Short arm with granular adjustment **2** - Short adjustable arms
 3 - Adjustable arms L: 2 3/8" **4** - Adjustable arms⁽³⁾ L: 3 3/8" **5** - Adjustable arms⁽⁴⁾ L: 7 1/8"

VOLTAGE

UNV - 120-277V

FINISH

15 - Gray

DIMMING

D10 - 0-10V (down to 1%)

⁽¹⁾ To specify longer lengths, multiple product code will be used.

⁽²⁾ Not compatible with internal accessories (**A3, A4, A5**).

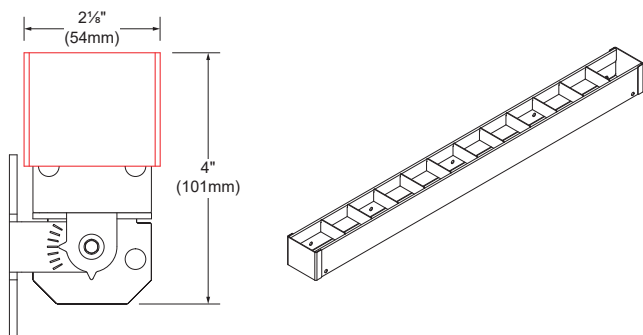
⁽³⁾ Ground spike with 3 3/8" adjustable arms (**G4**) not compatible with external accessories (**A1, A2**).

⁽⁴⁾ Available for surface (**M**) mounting.

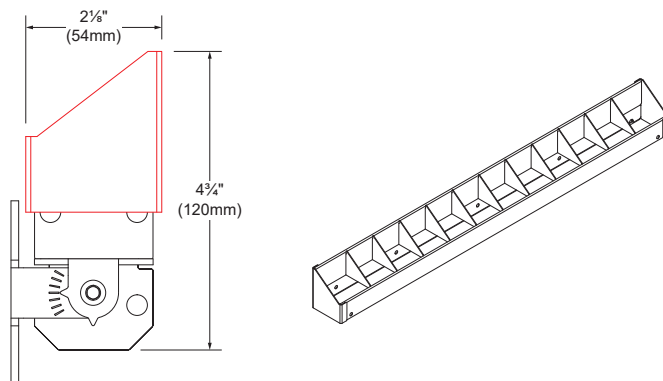
FIXTURE ACCESSORIES (optional)

EXTERNAL ACCESSORIES (for installation consult the instruction sheet)

A1 - Symmetrical external screen

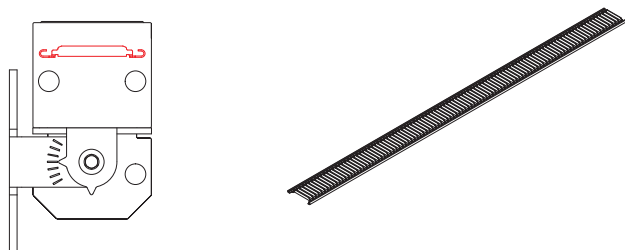


A2 - Asymmetrical external screen

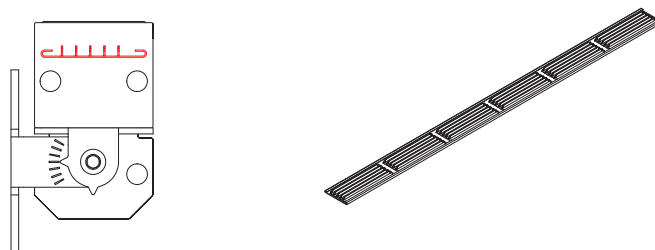


INTERNAL ACCESSORIES (Installed in factory)

A3 - Internal transversal louver



A4 - Internal longitudinal louver

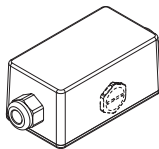


A5 - Honeycomb louver



ACCESSORIES (TO BE ORDERED SEPARATELY)

- 4543** - Wet location junction box
4½" x 2½" x 2½" (114 x 64 x 64mm)



WATERPROOF IP68 FIELD CONNECTOR:

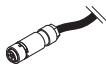
- X567** - Male (1) + female (2) distribution bloc.



- X757** - 27in (686mm) cable with male/male connectors.



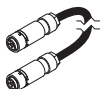
- X758** - 78in (2000mm) cable with female connector.



- X759** - 27in (686mm) cable with male/female connectors.



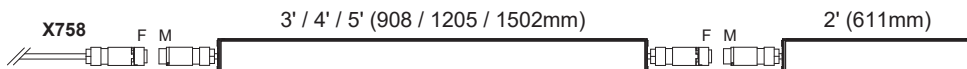
- X761** - 27in (686mm) cable with female/female connectors.



FIELD SETUP EXAMPLES

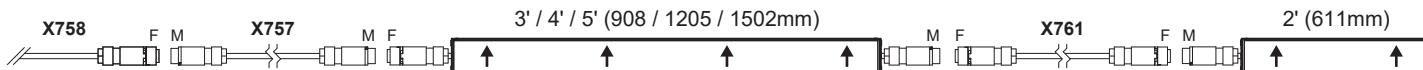
NO OPTIC ORIENTATION

Left feed

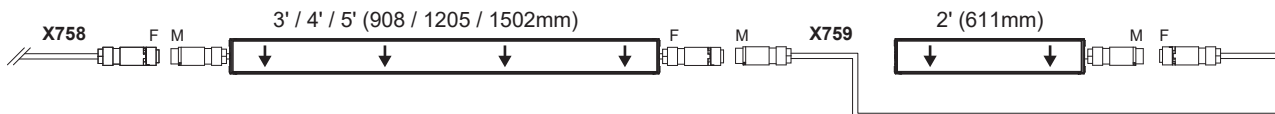


WITH OPTIC ORIENTATION (20X20 OPTIC ONLY)

Left feed



Left feed

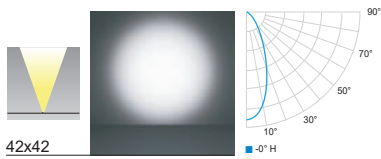
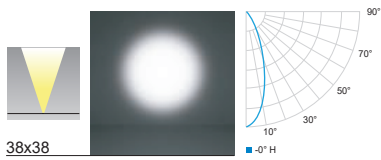
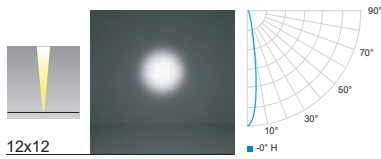
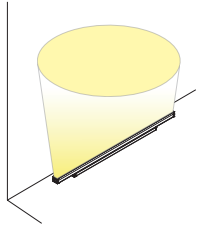


↑: Light orientation (towards wall)
F: Female connector
M: Male connector

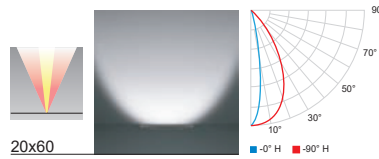
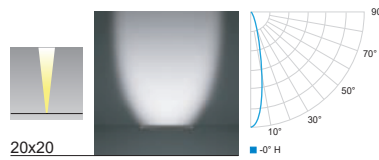
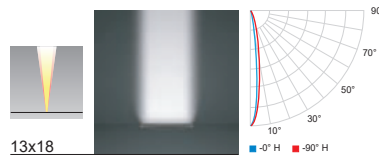
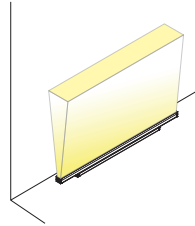
OVERVIEW

OPTICS

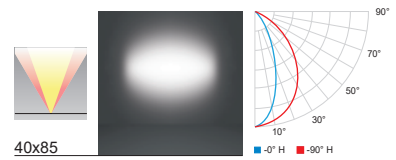
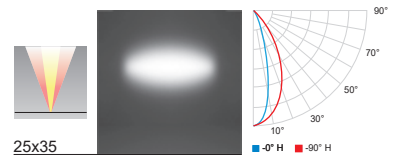
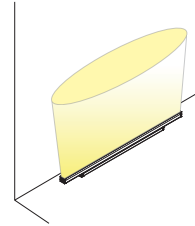
SYMMETRICAL



GRAZIER



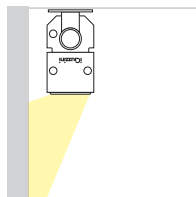
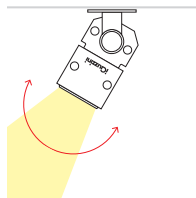
ELLIPTICAL



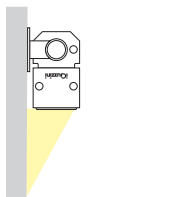
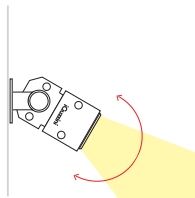
INSTALLATIONS

180° orientable arms

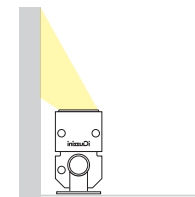
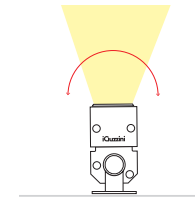
CEILING



WALL

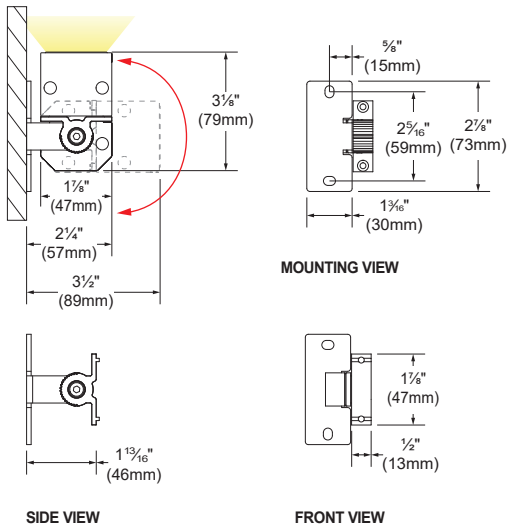


GROUND

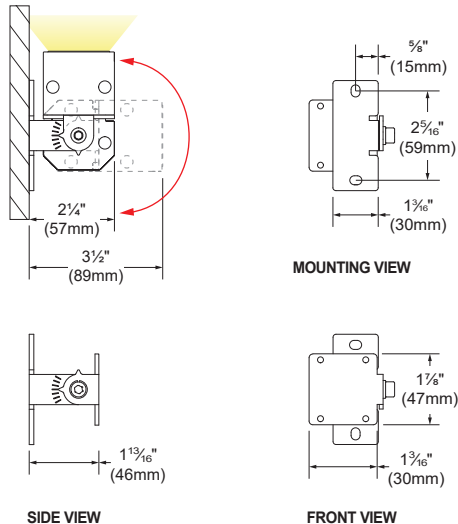


MOUNTING AND DIMENSIONS

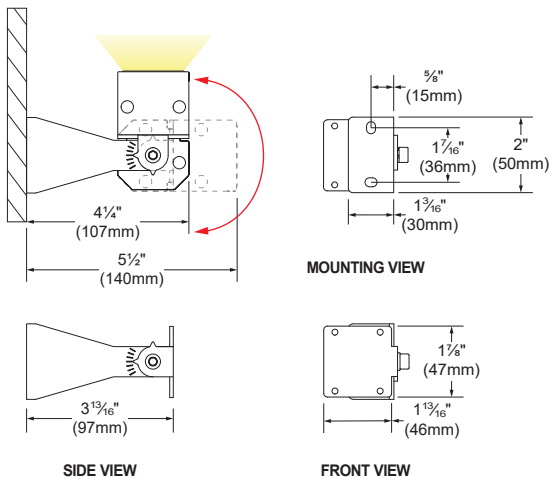
1 - Short arm with granular adjustment



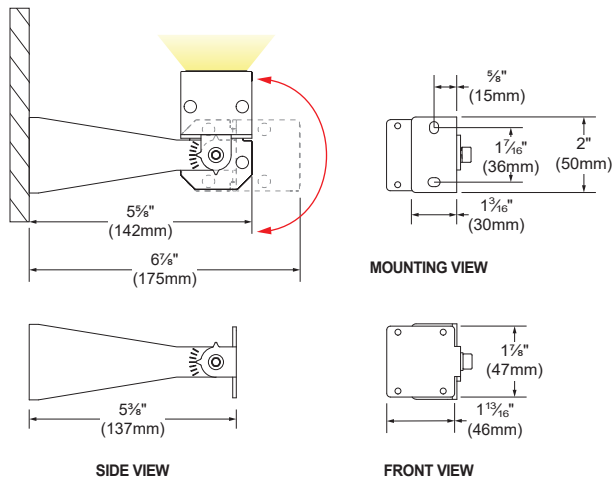
2 - Short adjustable arms



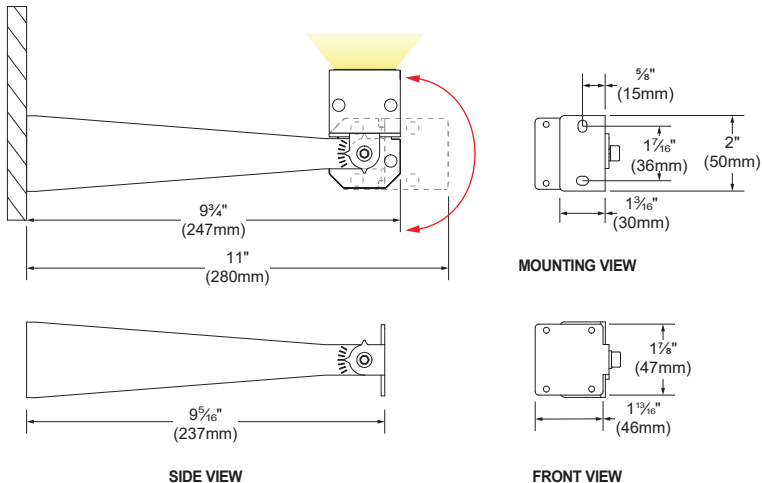
3 - Stainless steel adjustable arms L: 2 3/8" (60mm)



4 - Stainless steel adjustable arms L: 3 1/8" (100mm)

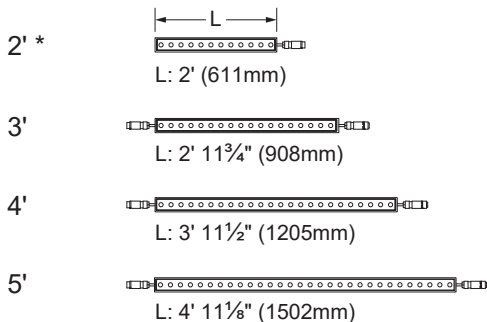


5 - Stainless steel adjustable arms L: 8 3/4" (223mm)



LENGTHS

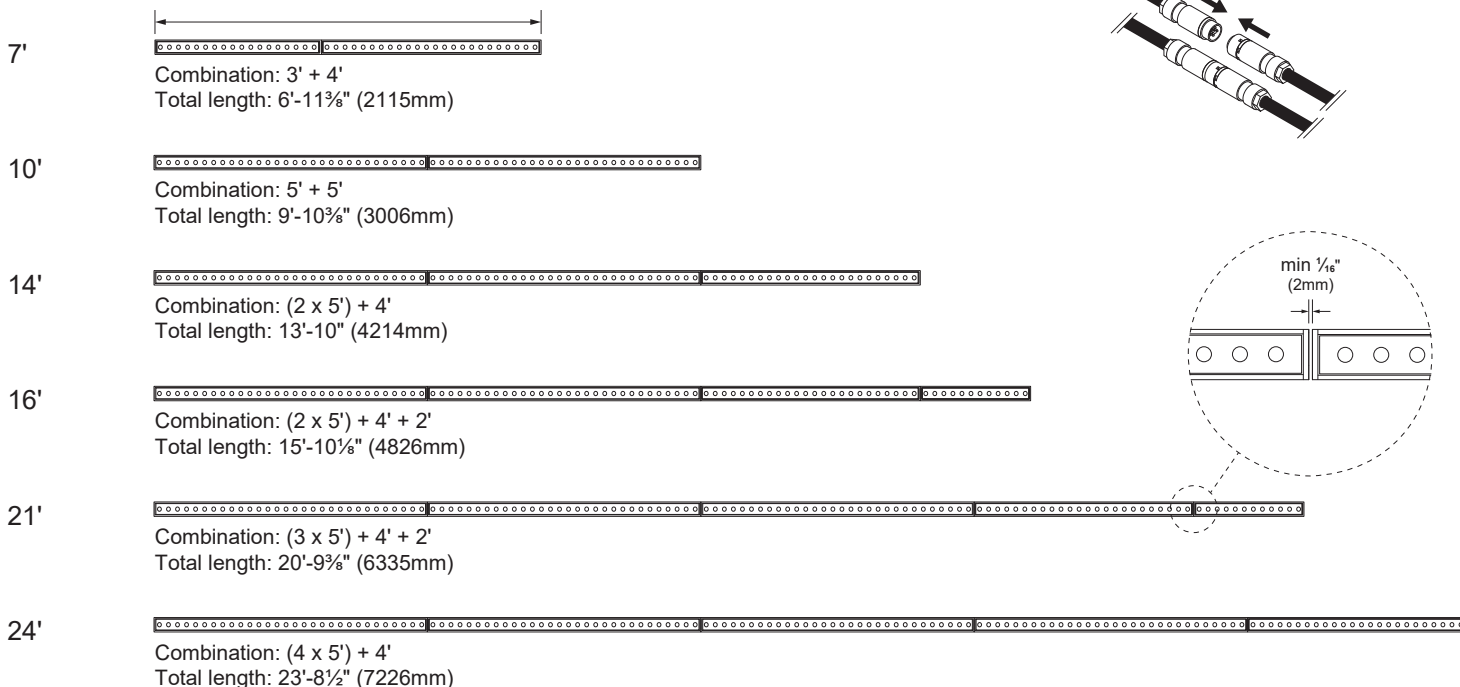
Except for 2' units, all units are equipped with 2 connectors (male / female) for through wiring.



* 2' units are to be used as single units or at the end of a line.

CONTINUOUS ROWS EXAMPLE

Single elements can be combined to obtain dark spot free continuous row with a single feed point. Interconnecting power cable and hardware are preconfigured at the factory and supplied with the luminaires.



CONTINUOUS ROWS LENGTH LIMITS

120VAC

| OUTPUT | MAX LENGTH |
|--------|--------------|
| BO | 175' (53.3m) |
| MO | 100' (30.4m) |
| HO | 55' (16.7m) |

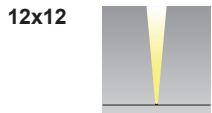
277VAC

| OUTPUT | MAX LENGTH |
|--------|---------------|
| BO | 415' (126.4m) |
| MO | 230' (70.1m) |
| HO | 130' (39.6m) |

PHOTOMETRIC DATA

Photometric data based on maximum power consumption (5' unit). Use the multiplier table for other cct and cri output data.

SYMMETRICAL



| CCT (K) | CRI | OUTPUT | LOAD (W/ft) | LUMENS (lm/ft) | EFFICACY (lm/W) | MAX CANDELA (cd) |
|---------|-----|--------|-------------|----------------|-----------------|------------------|
| 3000K | 80 | BO | 4W/ft | 425 | 106 | 29 170 |
| | | MO | 7.2W/ft | 725 | 100 | 49 535 |
| | | HO | 12.4W/ft | 1 130 | 91 | 77 415 |

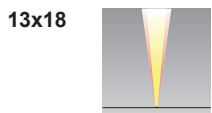


| | | | | | | |
|-------|----|----|----------|-----|----|-------|
| 3000K | 80 | BO | 4W/ft | 310 | 77 | 2 440 |
| | | MO | 7.2W/ft | 530 | 73 | 4 145 |
| | | HO | 12.4W/ft | 825 | 66 | 6 480 |

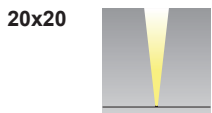


| | | | | | | |
|-------|----|----|----------|-----|----|-------|
| 3000K | 80 | BO | 4W/ft | 345 | 86 | 2 225 |
| | | MO | 7.2W/ft | 590 | 81 | 3 780 |
| | | HO | 12.4W/ft | 925 | 74 | 5 910 |

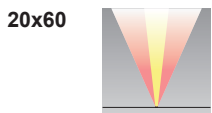
GRAZER



| | | | | | | |
|-------|----|----|----------|-----|----|--------|
| 3000K | 80 | BO | 4W/ft | 365 | 91 | 9 680 |
| | | MO | 7.2W/ft | 625 | 86 | 16 440 |
| | | HO | 12.4W/ft | 980 | 79 | 25 685 |



| | | | | | | |
|-------|----|----|----------|-----|----|--------|
| 3000K | 80 | BO | 4W/ft | 300 | 75 | 4 375 |
| | | MO | 7.2W/ft | 510 | 70 | 7 430 |
| | | HO | 12.4W/ft | 800 | 64 | 11 615 |

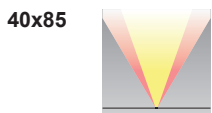


| | | | | | | |
|-------|----|----|----------|-----|----|-------|
| 3000K | 80 | BO | 4W/ft | 345 | 86 | 3 525 |
| | | MO | 7.2W/ft | 590 | 81 | 5 990 |
| | | HO | 12.4W/ft | 925 | 66 | 9 365 |

ELLIPTICAL



| | | | | | | |
|-------|----|----|----------|-----|----|-------|
| 3000K | 80 | BO | 4W/ft | 300 | 70 | 3 785 |
| | | MO | 7.2W/ft | 500 | 68 | 6 305 |
| | | HO | 12.4W/ft | 785 | 61 | 9 885 |



| | | | | | | |
|-------|----|----|----------|-----|----|-------|
| 3000K | 80 | BO | 4W/ft | 270 | 63 | 1 200 |
| | | MO | 7.2W/ft | 450 | 60 | 2 000 |
| | | HO | 12.4W/ft | 705 | 55 | 3 135 |

| | | | |
|-------------------|-------------|----------|----------|
| CCT options | 2700K | 3000K | 400K |
| CRI options | 80CRI | 80CRI | 80CRI |
| Multiplier | 0.92 | 1 | 1 |