
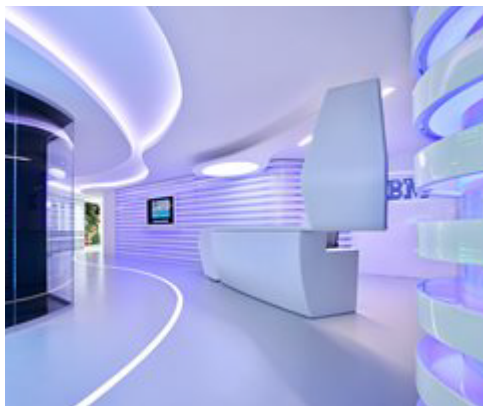




Underscore Ledstrip feature high efficiency LEDs with a high color rendering index and flexible white circuit. The close LEDs spacing create an extremely homogeneous and diffuse linear emission.

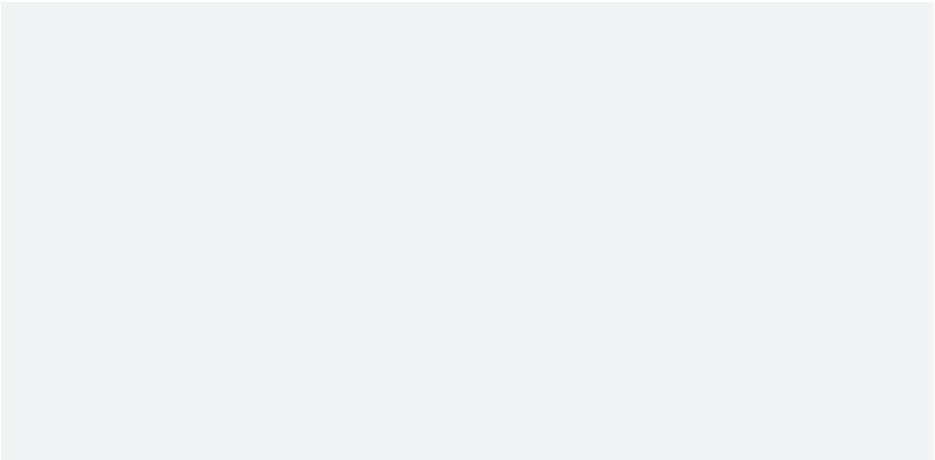
Luminaire characteristics:	Power input: 4.4W/ft (Remote fixture only) Lumens: Up to 301lm/ft (for RGBW) Up to 362lm/ft (for tunable white) Luminaire efficacy: Up to 82 lm/W
Source:	RGBW LED W: 3000K 90CRI Tunable white LED 2700K to 6500K, 90 CRI
Lumen maintenance:	70% of initial lumens at 40 000 hours (L70)
Optics:	General light.
Material:	Transparent PVC sheath. Designed for temperature: -4°F to 122°F (-20°C to 50°C).
Mounting:	Mounting accessories available (see page 4)
Electrical:	24Vdc remote LED driver to be ordered separately (page 3). To achieve tunable white or RGBW solution, appropriate control system must be used.
Dimming:	0-10V for TW, DMX for RGBW. See dimming options on page 3.
Finish:	White
Weight:	0.2lb/ft (0.1kg/ft)
Warranty:	5 year limited warranty.
Ratings:	IP65, IP20 when field cut
Certification:	 cULus listed for damp location



ORDERING INFO



PRODUCT CODE			
<input type="text"/>	<input type="text"/>	<input type="text"/>	<input type="text"/>
LENGTH	OUTPUT	LED	COLOUR
16 16ft (5m)	4.4 W/ft	TW Tunable white 2700K-6500K RGBW RGBW W (3000K)	01 white



REMOTE LED DRIVER OPTIONS
(TO BE ORDERED SEPARATELY)

Watts	Voltage	Rated	Dimming protocol	Dimming range	Dimensions	Max distance at full load 18AWG
4545-0024-075-UNV-ND						
<input type="checkbox"/> 75	120-277V	Outdoor	None	None	11.5" x 3" x 2" (292 x 76 x 51mm)	50ft (15.2m)
4546-0024-200-2C-UNV-ND (100W/CH - 2Channel)						
<input type="checkbox"/> 200	120-277V	Outdoor	None	None	12.5" x 4.5" x 2.5" (312 x 114 x 61mm)	35ft (10.6m)

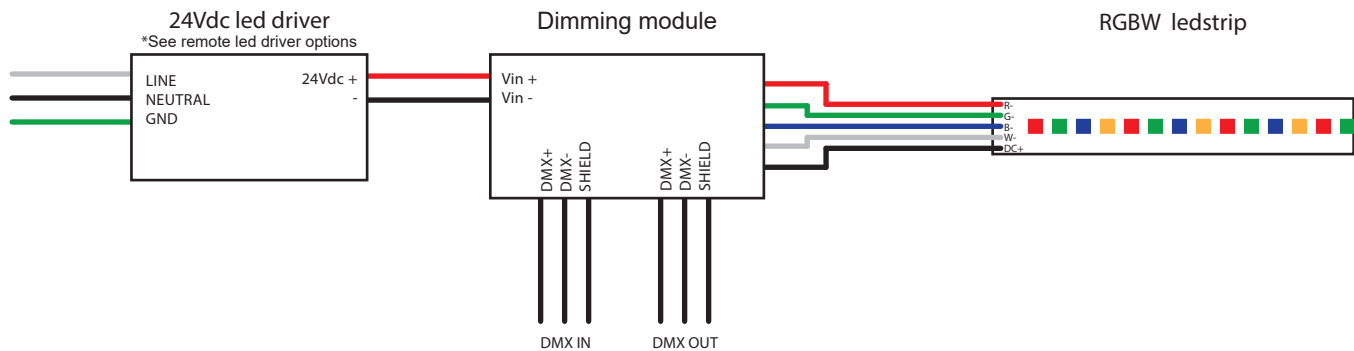
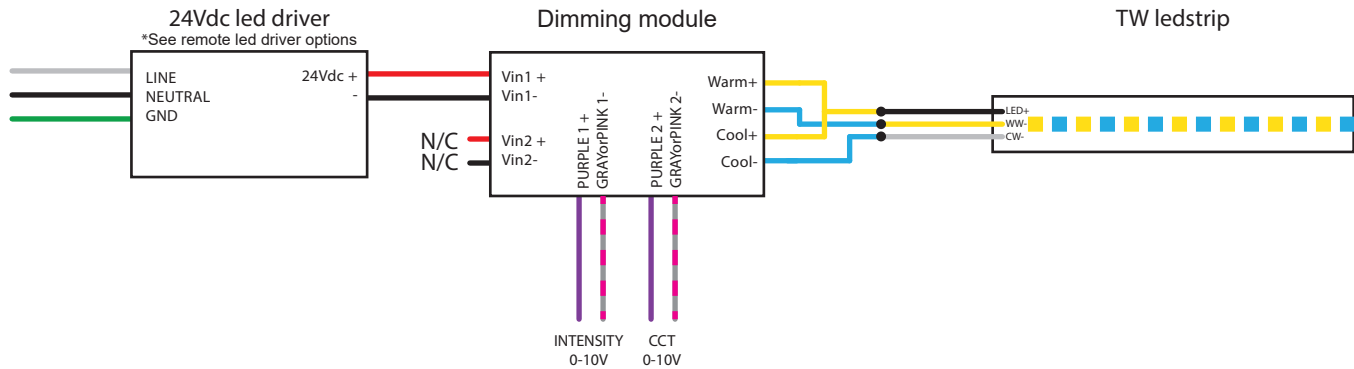
Wattage requirement for one (1) fixture: RGBW or TW 4.4w/ft. 24V (remote fixture only)
For longer remote distance, contact customer service.
The in-line connection of ledstrip is possible up to 5 m without any differences in luminosity in the line.
Ledstrip wattage must be lower or equal to the remote led driver wattage. The diming module wattage must be greater or equal to the ledstrip wattage.

OPTIONAL DIMMING MODULES*
(TO BE ORDERED SEPARATELY)

- 9221** - For tunable white (2ch) 0-10V, 24Vdc, 240W MAX, 0-100%
0.57"x1.73"x3.86" (14.5mmx44mmx98mm)
- 9222** - For RGBW (4ch) DMX, 24Vdc, 100W MAX, 0-100%
0.78"x1.81"x4.84" (20mmx46mmx123mm)

*Dimming modules must be used only within an enclosure.
Enclosure by other.

CONNECTION DIAGRAM FOR DRIVER AND DIMMING MODULES 9221 OR 9222



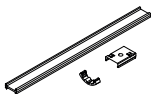
MOUNTING ACCESSORIES
(TO BE ORDERED SEPARATELY)

For details on installation, consult the instruction sheet. For dimensions see page 5



INSTALLATION KIT

- IMWG1-12** - Aluminum channel kit.
Includes 5 x 39"(1m) channel,
20 clips and 10 mounting brackets



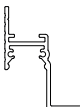
- ALUMINUM PROFILE **01** - White **12** - Aluminum

Surface installation

- IMXK3** - 90° angle profile 39" (1m).
- IMXK4** - 90° angle profile 79" (2m).



- IMXK5** - Perimetral profile 79" (2m).
Available in white



- IMXK8** - Low minimal profile 39" (1m).
- IMXK9** - Low minimal profile 79" (2m).



- IMXL2** - High minimal profile 39" (1m).
- IMXL3** - High minimal profile 79" (2m).



Recessed installation

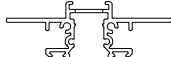
- IMXK6** - Low profile 39" (1m).
- IMXK7** - Low profile 79" (2m).



- IMXL0** - High profile 39" (1m).
- IMXL1** - High profile 79" (2m).



- IMXN8** - Strait trimless profile 79" (2m).
No finish



CONNECTORS

(TO BE ORDERED SEPARATELY)

- IMWR7** - Silicon end cap for ledstrip.
Includes 4 end caps with holes



MOUNTING CLIPS

Surface installation

- IMXM4** - For surface profile, 5 pcs
- IMXM5** - For 90° angle profile, 5 pcs



Recessed installation

- IMXP6** - Spring



- END CAP **01** - White **10** - Gray

Surface installation

- IMXL4** - End cap for IMXK3, IMXK4. 10 pcs.
- IMXL5** - End cap for IMXK5. 10 pcs
Available in white
- IMXL7** - End cap for IMXK8, IMXK9. 10 pcs
- IMXL9** - End cap for IMXL2, IMXL3. 10 pcs



Recessed installation

- IMXL6** - End cap for IMXK6, IMXK7. 10 pcs
- IMXL8** - End cap for IMXL0, IMXL1. 10 pcs
- MXQ2** - End cap for IMXN8, 4 pcs
Available in white



DIFFUSER SCREEN

- IMXM0-38** - Opal 39" (1m)
- IMXM1-38** - Opal 79" (2m)
- IMXM2-21** - Clear 39" (1m)
- IMXM3-21** - Clear 79" (2m)



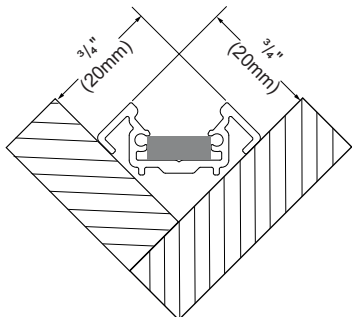
DIMENSIONS

LEDSTRIP LENGTH

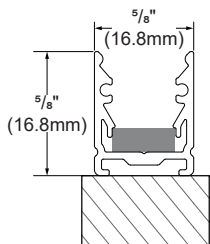


ALUMINIUM PROFIL DIMENSIONS

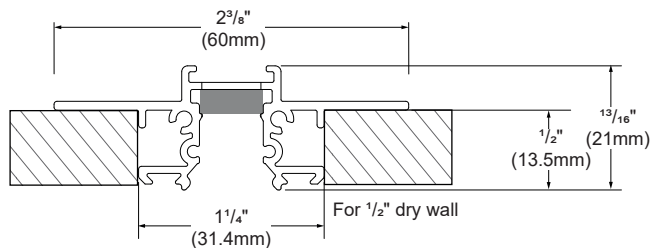
IMXK3 - IMXK4



IMXL2 - IMXL3

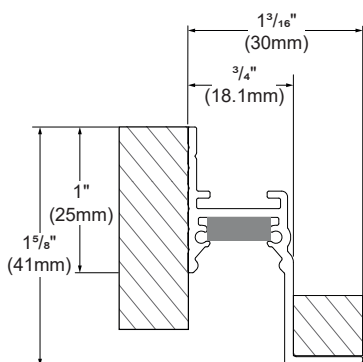


IMXN8

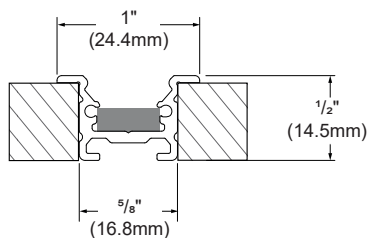


DIFFUSER SCREEN DIMENSIONS

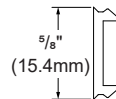
IMXK5



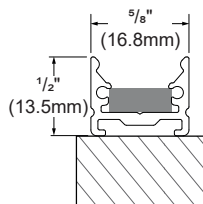
IMXK6 - IMXK7



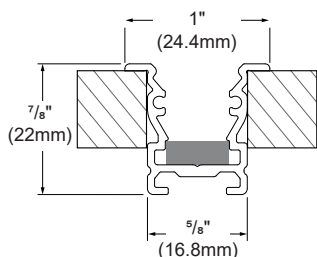
IMXM0 - IMXM1 - IMXM2 - IMXM3



IMXK8 - IMXK9



IMXL0 - IMXL1



PHOTOMETRIC DATA

GENERAL LIGHT

CCT (K)	CRI	LOAD (W/ft)	LED	LUMENS (lm/ft)	EFFICACY (lm/W)	MODELS
2700K	90	4.4 W/ft	Tunable white	315	71	IRM56
6000K				362	82	
3000K			RGBW	301	68	IRM57

CCT options	2700K	3000K	3500K	4000K
CRI options	90CRI	90CRI	90CRI	90CRI
Multiplier	0.95	1	1.05	1.07