

Last information update: March 2025

**Product configuration: ES90**

ES90: Spotlight with base - Warm White Led - integrated electronic control gear - H.O. - Ta 25



**Product code**

ES90: Spotlight with base - Warm White Led - integrated electronic control gear - H.O. - Ta 25

**Technical description**

Spotlight designed to use LED lamps and a Medium optic. The optical assembly and base is made of EN1706AC 46100LF aluminium alloy and subjected to a multi-step, pre-treatment process, in which the main phases are degreasing, fluorozirconation (a protective surface film) and sealing (with a nano-structured silane layer). The following painting stage consists of a primer and a liquid acrylic paint, cured at 150°C, with a high level of weather and UV ray resistance. 5 mm thick tempered sodium-calcium closing glass. Double adjustability allows a 360° rotation about the vertical axis and 90° tilting relative to the horizontal plane. Mechanical aiming locks for rotation on both the vertical axis and horizontal plane. Complete with a monochrome LED circuit and an Opti Beam Reflector optic system. The product includes a PG13.5 cable gland. Electronic DALI ballast integrated in product. Option of using optic accessories assembled via an accessory holder frame. All external screws used are made of A2 stainless steel.

**Installation**

Floor, wall, ceiling.

**Colour**

White (01) | Black (04) | Grey (15) | Rust Brown (F5)

**Weight (Kg)**

6.56

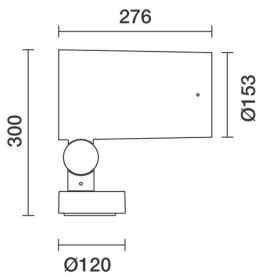
**Mounting**

wall arm|ground surface|wall surface|ceiling surface

**Wiring**

Double PG.

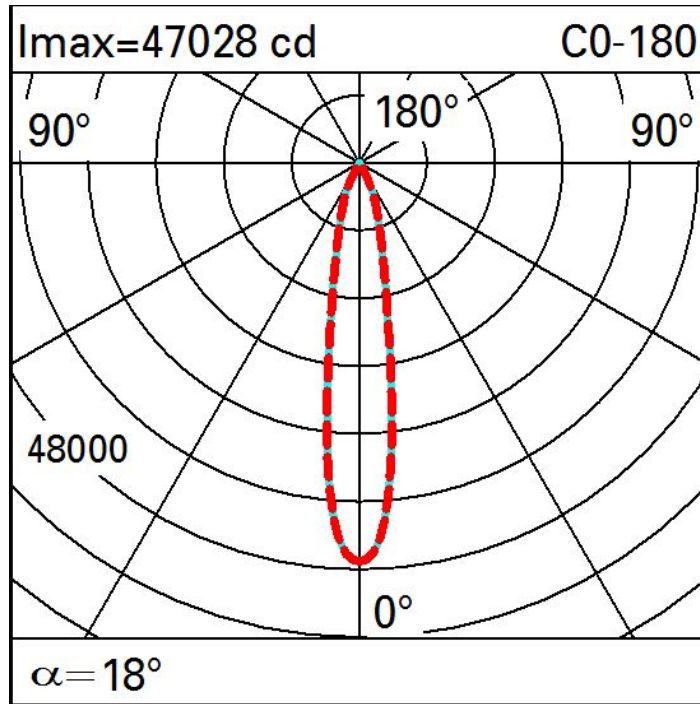
Complies with EN60598-1 and pertinent regulations



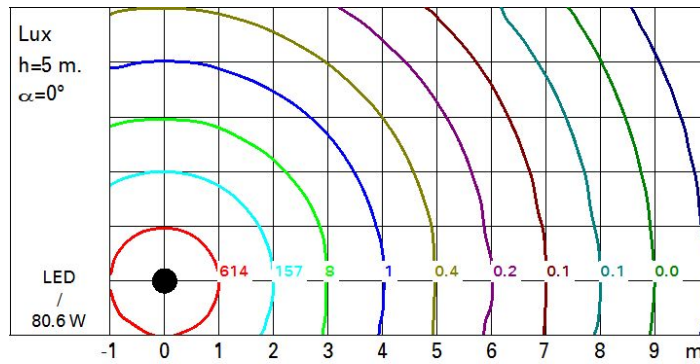
**Technical data**

Im system:	7585	Life Time LED 1:	60,000h - L80 - B10 (Ta 25°C)
W system:	80.6	Voltage [Vin]:	230
Im source:	9850	Lamp code:	LED
W source:	71	Number of lamps for optical assembly:	1
Luminous efficiency (lm/W, real value):	94.1	ZVEI Code:	LED
Im in emergency mode:	-	Number of optical assemblies:	1
Total light flux at or above an angle of 90° [Lm]:	0	Intervallo temperatura ambiente:	from -30°C to 35°C.
Light Output Ratio (L.O.R.) [%]:	77	Lifetime of product at ambient operating temperature:	≥ 50.000h Ta=25°C
Beam angle [°]:	18°	Power factor:	See installation instructions
CRI (minimum):	80	Overvoltage protection:	10kV Common mode & 6kV Differential mode
Colour temperature [K]:	3000	Control:	DALI-2
MacAdam Step:	3		

Polar



Isolux



Illuminances

