


Underscore InOut is a flexible continuous linear system for exterior applications, engineered for extreme conditions. This flexible system allows freedom of design on surface of any shape and size. Underscore InOut is the right solution where direct diffuse distribution is desired.

Luminaire characteristics:

Power input: 3 W/ft (Remote fixture only)
Lumens: Up to 35lm/ft (for RGB)
Up to 105lm/ft (for Tunable white)
Luminaire efficacy: Up to 35lm/W

Source:	RGB, Tunable white 2500K to 4500K (LM-80 tested)
Lumen maintenance:	See page 8 for details.
Optic:	Underscore InOut can be used to create straight or curved lines on flat surfaces. Darkspot free lighting is guaranteed along the entire strip profile up to the end parts.
Material:	Coextruded high performance polymer extrusion IP68 factory sealed assembly. Designed for extreme temperatures: -22°F to +113°F (-30°C to +45°C). The high performance polymer has been tested at 1760°F (960°C) with glow wire without igniting of smoke. Integral stainless steel splint system reducing mechanical stress and increase reliability.
Mounting:	Universal surface mounted, using mounting accessories (included). Supplied with 3" (80mm) long cable with patented IP68 connection system. (page 4-5).
Electrical:	24V remote LED driver to be ordered separately (page 3)
Dimming:	See dimming options on page 3.
Finish:	White polymer extrusion with milky finish. Extruded anodized aluminum or stainless steel mounting clips.
Weight:	0.2lb/ft (0.1kg/ft)
Warranty:	5 year limited warranty
Rating:	IP68, IK10
Certification:	 cULus listed for wet location

ORDERING INFO

- - - - **01**
FIXTURE

MODEL	IU10 - 3/8" (10mm)	IU16 - 5/8" (16mm)
SIDE BEND	<input type="checkbox"/> RGB - RGB Led	<input type="checkbox"/> RGB - RGB Led <input type="checkbox"/> TWL - Tunable White Led
TOP BEND		<input type="checkbox"/> RGB - RGB Led <input type="checkbox"/> TWL - Tunable White Led

LENGTH

Refer to configurations table on page 6. Select matching length from the dropdown menu (use scroll bar for more options)

MOUNTING

- AL** - Aluminum low support clips
- CL** - Stainless steel low support clips
- LP** - Aluminum low profile
- AH*** - Aluminum high support clips
- CH*** - Stainless steel high support clips
- HP*** - Aluminum high profile

FEED

- A** - Left feed (115mm)
- B** - Left feed (1500mm)
- C** - Left feed (3000mm)
- F** - Left feed (5000mm)
- D** - Right feed (115mm)
- E** - Right feed (1500mm)
- N** - No feed (for in-line modules)

FINISH

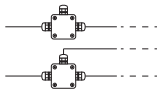
- 01** - White

* Only available for IU16 model.

ACCESSORY

(TO BE ORDERED SEPARATELY)

- 4543** - Wet location connection box
For cable Ø 3/16" to 7/16" (4mm to 11mm)



REMOTE LED DRIVER OPTIONS
(TO BE ORDERED SEPARATELY)

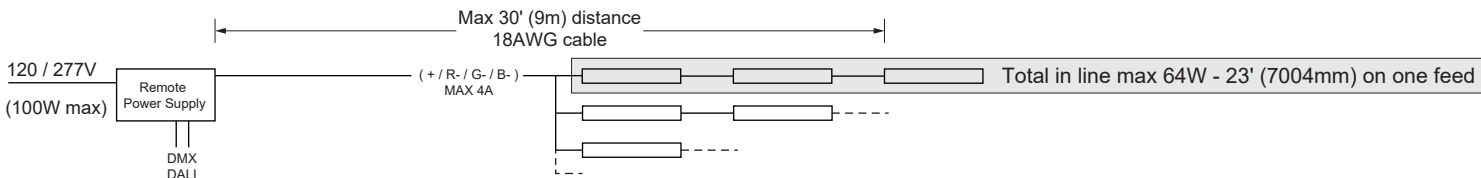
Watts	Voltage	Rated	Dimming protocol	Dimensions	Max distance 18AWG
4449-0024-100-UNV-LDMX/DA					
100	120V	Indoor	DALI / DMX	12" x 8" x 4" (305 x 203 x 102mm)	30ft(9m)
4549-0024-100-UNV-LDMX/DA					
100	120-277V	Outdoor	DALI / DMX	14" x 5" x 3" (356 x 127 x 76mm)	30ft(9m)

* Wattage requirement for one (1) fixture: 2.7W/ft or 2.8W/ft, 24V (remote fixture only).
**For longer remote distance, contact customer service.

SUGGESTED RGB WIRING DIAGRAM

LED DRIVER CODE: **4449-0024-100-UNV-LDMX/DA**

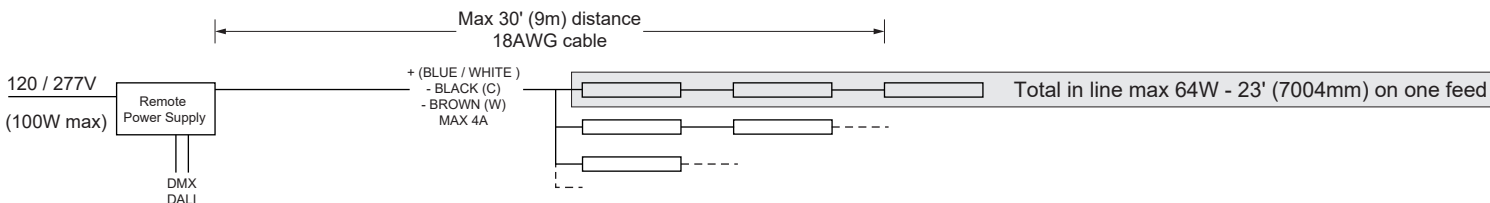
Wmax for in line: 64W - 23' (7004mm)
Wmax for driver box: 100W



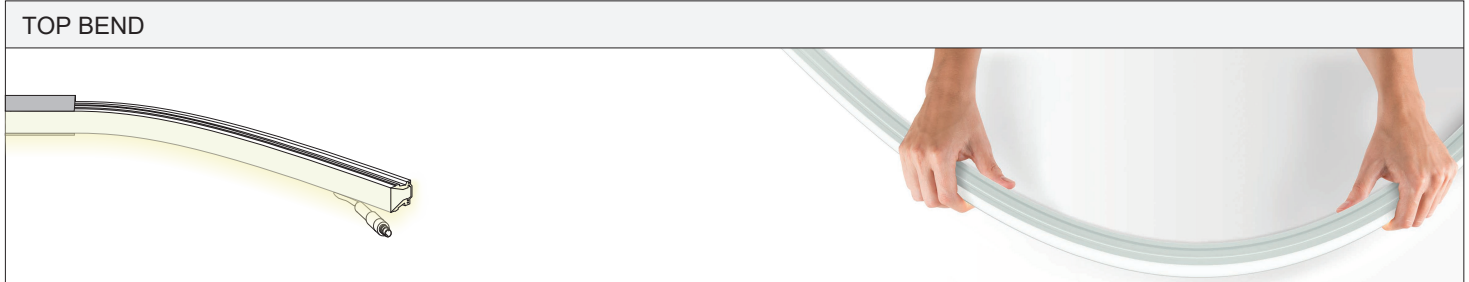
SUGGESTED TUNABLE WHITE WIRING DIAGRAM

LED DRIVER CODE: **4449-0024-100-UNV-LDMX/DA**

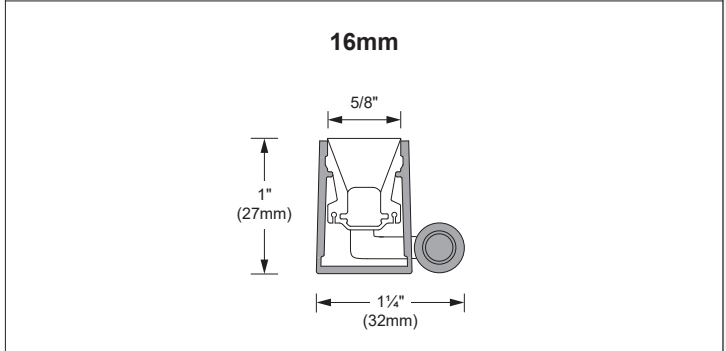
Wmax for in line: 64W - 23' (7004mm)
Wmax for driver box: 100W



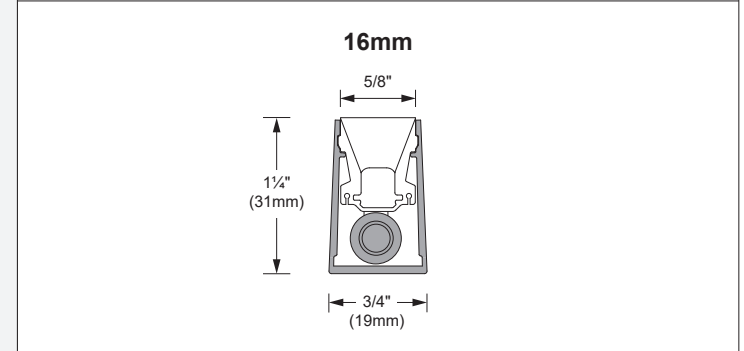
MODEL AND MOUNTINGS



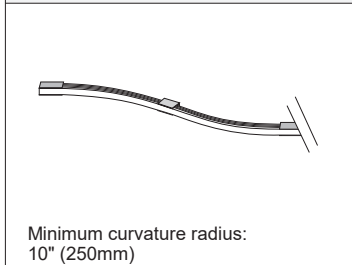
LOW CLEARANCE MOUNTING - 1" HEIGHT WITH EXPOSED CONNECTORS



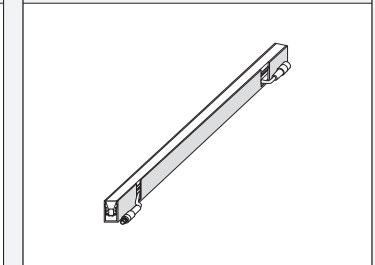
HIGH PROFILE MOUNTING - 1 1/4" HEIGHT WITH HIDDEN CONNECTORS



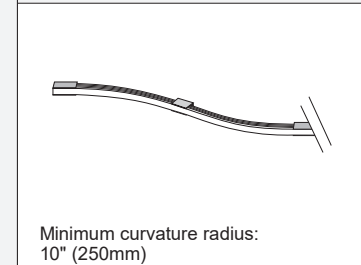
CURVED INSTALLATION



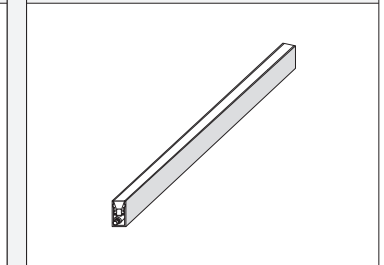
STRAIGHT INSTALLATION



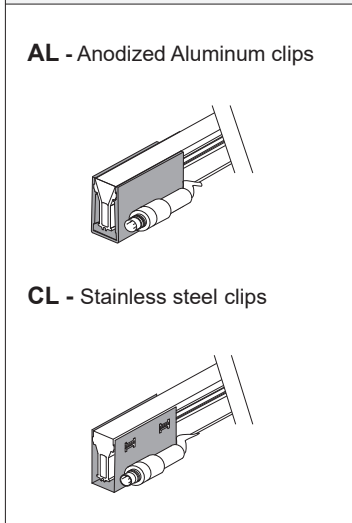
CURVED INSTALLATION



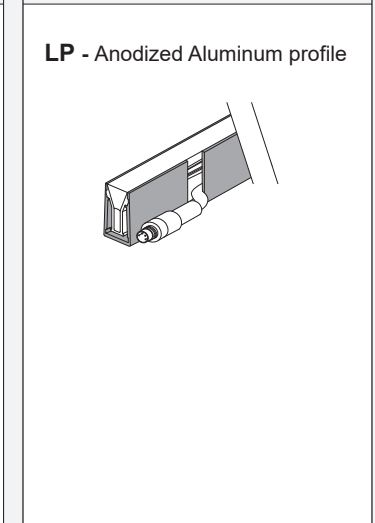
STRAIGHT INSTALLATION



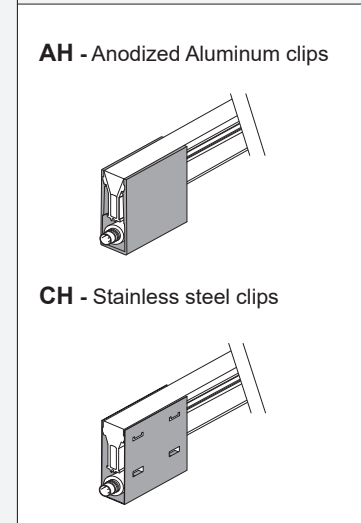
CLIP OPTIONS



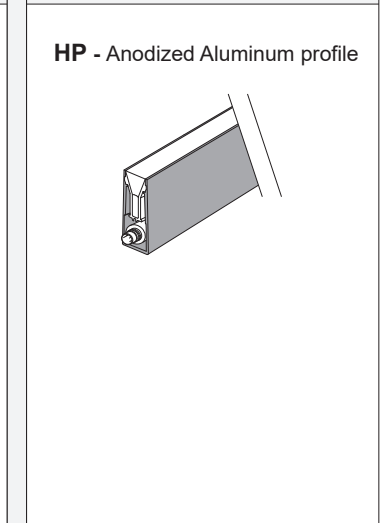
PROFILE OPTION



CLIP OPTIONS



PROFILE OPTION

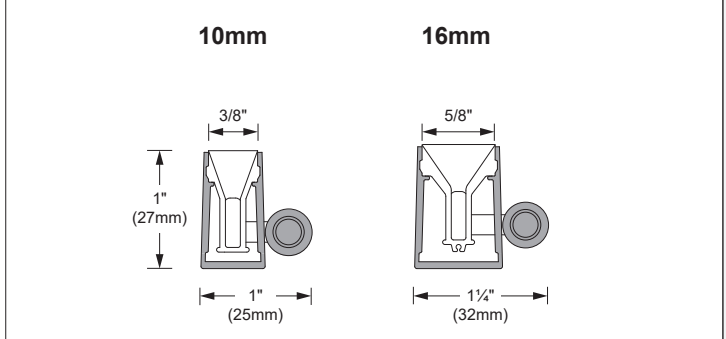


All mounting clips length: 1 1/2" (40mm)
All profile length follows model length. See page 6 for all available lengths.

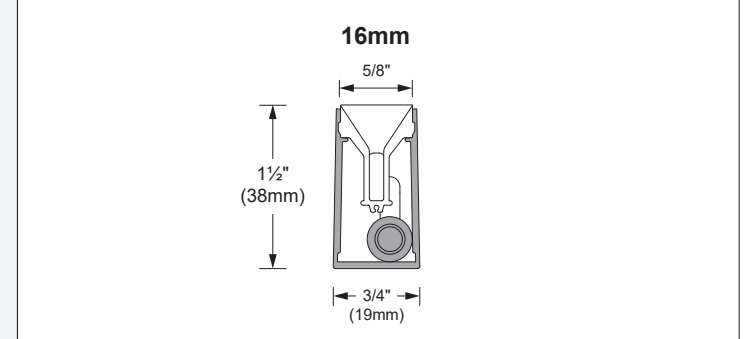
MODEL AND MOUNTINGS



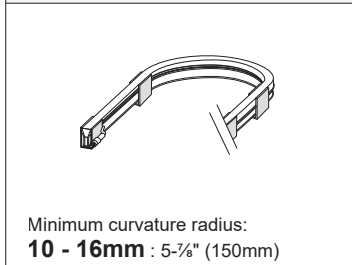
LOW CLEARANCE MOUNTING - 1" HEIGHT WITH EXPOSED CONNECTORS



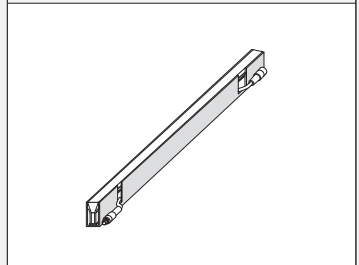
HIGH PROFILE MOUNTING - 1 1/2" HEIGHT WITH HIDDEN CONNECTORS



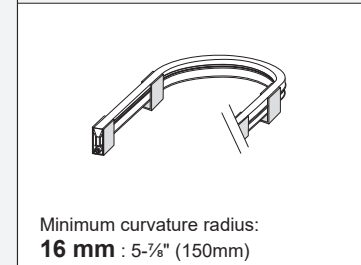
CURVED INSTALLATION



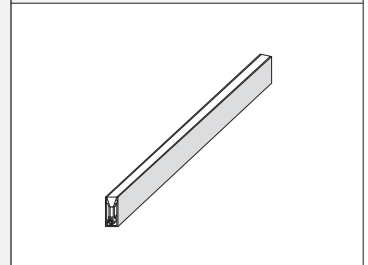
STRAIGHT INSTALLATION



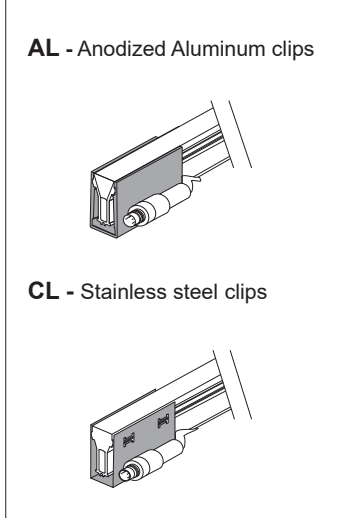
CURVED INSTALLATION



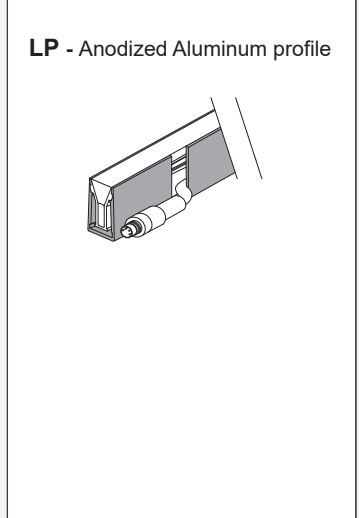
STRAIGHT INSTALLATION



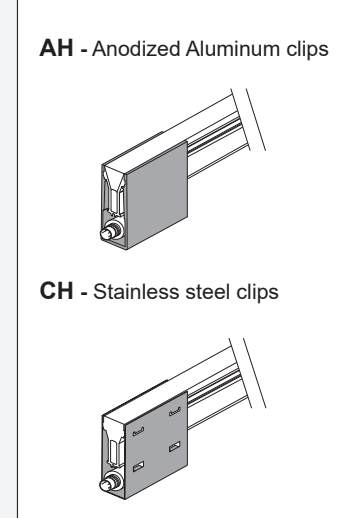
CLIP OPTIONS



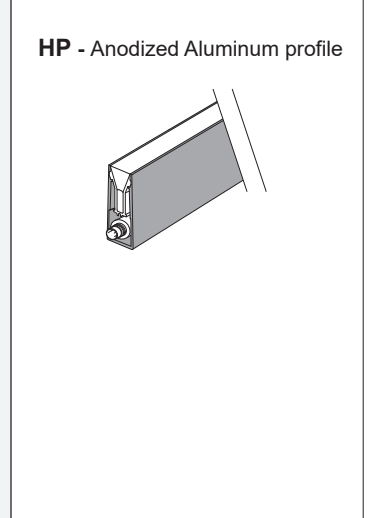
PROFILE OPTION



CLIP OPTIONS



PROFILE OPTION



All mounting clips length: 1 1/4" (40mm)
All profile length follows model length. See page 6 for all available lengths.

LENGTHS

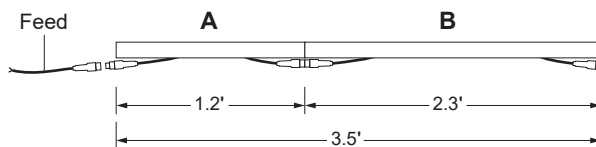
0.8'	L: 10" (254mm)
1.0'	L: 1' (304mm)
1.2'	L: 1'-1 1/8" (354mm)
1.3'	L: 1'-3 3/8" (404mm)
1.5'	L: 1'-5 3/8" (454mm)
1.7'	L: 1'-7 3/8" (504mm)
1.8'	L: 1'-9 3/4" (554mm)
2.0'	L: 1'-11 3/4" (604mm)
2.1'	L: 2'-1 3/4" (654mm)
2.3'	L: 2'-3 3/4" (704mm)
2.5'	L: 2'-5 5/8" (754mm)
2.6'	L: 2'-7 5/8" (804mm)
2.8'	L: 2'-9 5/8" (854mm)
3.0'	L: 2'-11 5/8" (904mm)
3.1'	L: 3'-1 1/2" (954mm)
3.3'	L: 3'-3 1/2" (1004mm)
6.6'	L: 6'-6 7/8" (2004mm)
9.9'	L: 9'-10 1/4" (3004mm)
13.1'	L: 13'-1 5/8" (4004mm)
16.4'	L: 16'-5" (5004mm)
23.0'	L: 22'-11 3/4" (7004mm)

COMBINED MODULES

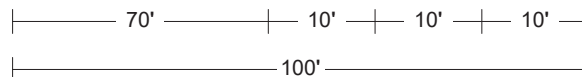
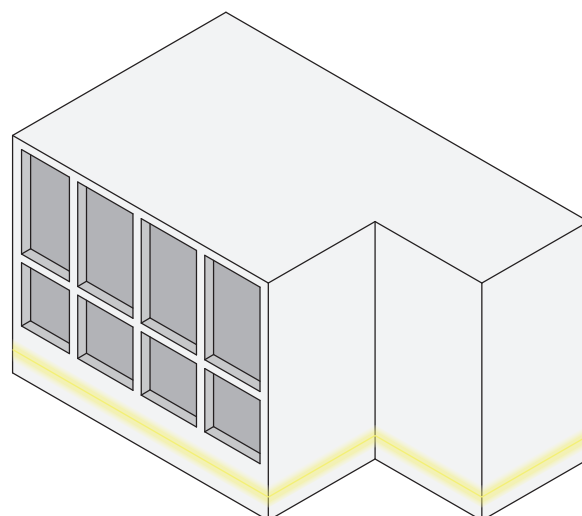
Standard modules can be combined in continuous rows, to create other length options. Thanks to the side positioning of the connectors, it avoids dark areas.

To get the desired length, simply choose standard modules to combine (example : **A+B**). For in-line modules (**B**), no feed is required.

Each module is supplied with 3" (80mm) long cable with connector, to interconnect the modules, up to 23' (7004mm) long.



TOP VIEW



ATTENTION: When ordering, each part of the design must be calculated separately.

- 70' + 3 x 10'
- 1 x 100'

FEED OPTIONS (INCLUDED)

LEFT FEED

*STANDARD

⁽¹⁾Low profile side bend is only available in 115mm or 1500mm
Please refer to instruction sheet for more options.

A - Cable with female connector
Length = 4½" (115mm)



B - Cable with female connector
Length = 59" (1500mm)



C⁽¹⁾ - Cable with female connector
Length = 118" (3000mm)



F⁽¹⁾ - Cable with female connector
Length = 193 ¾" (5000mm)



RIGHT FEED

* AS REQUIRED DEPENDING ON THE INSTALLATION, SEE IMAGE BELOW

D - Cable with male connector
Length = 4½" (115mm)

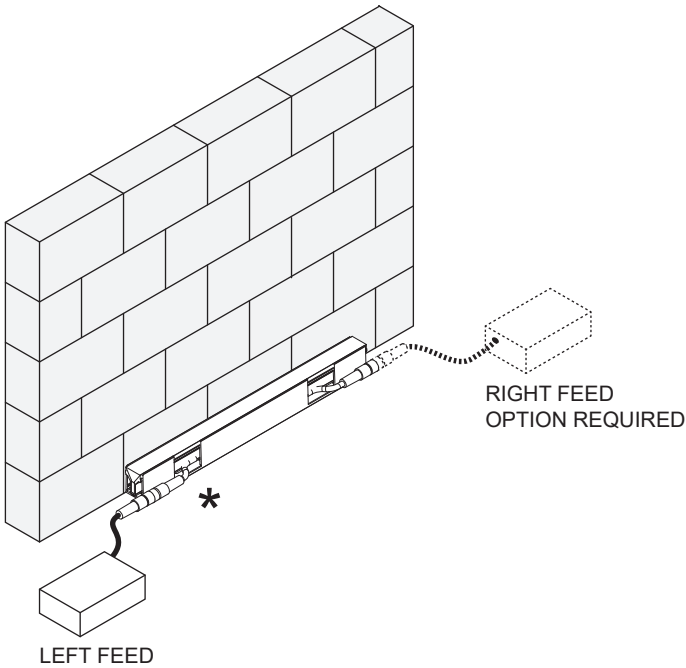


E - Cable with male connector
Length = 59" (1500mm)

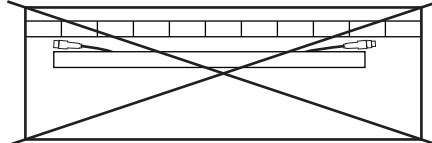
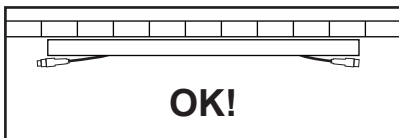


NO FEED

N - No feed (for in-line modules)

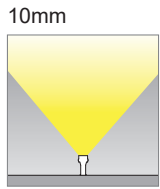


*For side bend low clearance mounting, connectors must be positioned opposite of the wall.

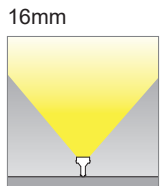


PHOTOMETRIC DATA

SIDE BEND

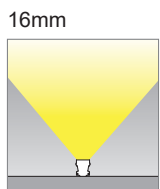


VERSION	LOAD (W/ft)	LUMENS (lm/ft)	EFFICACY (lm/W)	MAX CANDELA (cd/ft)	MODEL
RGB	2.6W/ft	20	7	4	IU10-S-RGB



VERSION	LOAD (W/ft)	LUMENS (lm/ft)	EFFICACY (lm/W)	MAX CANDELA (cd/ft)	MODELS
RGB	2.7W/ft	24	8	6	IU16-S-RGB
TUNABLE WHITE		98	37	28	IU16-S-TWL

TOP BEND



VERSION	LOAD (W/ft)	LUMENS (lm/ft)	EFFICACY (lm/W)	MAX CANDELA (cd/ft)	MODELS
RGB	2.7W/ft	42	15	11	IU16-T-RGB
TUNABLE WHITE	2.9W/ft	165	56	46	IU16-T-TWL

LUMEN MAINTENANCE

Version	L70 B20 (ta25°)	L70 B20 (ta40°)	L70 B10 (ta40°)	L80 B20 (ta25°)	L80 B10 (ta25°)	L80 B20 (ta40°)
TOP BEND - RGB	60 000H	40 000H		45 000H		30 000H
TOP BEND - TWL			70 000H		54 000H	
SIDE BEND - RGB	65 000H	35 000H		50 000H		25 000H
SIDE BEND - TWL	56 000H	35 000H	49 000H	36 000H	32 000H	23 000H