



Collection of projectors for exterior applications. Available in two sizes. Thanks to its adjustable spotlights and versatile installation, the MaxiWoody system can light horizontal surfaces (streets, squares, car parks) and vertical planes (facades, monuments, architectural details) simultaneously.

Luminaire characteristics:

Power input: 28W to 60W
Lumens: 2600lm to 6700lm (for 3000K, 80CRI)
Luminaire efficacy: Up to 114lm/W

Source: White LED (LM-80 Tested)
3000K: 80CRI
4000K: 80CRI

Lumen maintenance: >80% of initial lumens at 100 000 hours (L80)

Optics: Available in spot, flood or wide flood.

Material: Body: Die-cast aluminum optical assembly frame and base.
Reflector: 99.93% super-pure aluminum.
Diffuser: 4mm thick tempered sodium-calcium glass.
Hardware: Stainless steel screws.

Mounting: Ground, wall, MultiWoody arm and pole flange mounting. Single entry feed. Supplied with 3ft (1m) of power cable.

Electrical: Universal high efficiency electronic driver, rated at 50 000 hours, 120V-277V.

Dimming: Supplied standard with 0-10V dimmable LED driver (15% minimum dimming). Leading and trailing edge (ELV) for 120V only for compact.

Finish: Gray (RAL9007) painted finish with a high level of weather and UV resistance. The semi-gloss finish coating is electrostatically applied, durable acrylic enamel baked at high temperatures for superior color retentive finish.

Weight: Compact: 10lbs (4.57kg)
Small: 16.75lbs (7.60kg)

Warranty: 5 year limited warranty.

Ratings: IP67, IK08

Certification:  cULus listed for wet location

ORDERING INFO

IWMX - - - - UNV - 15 -
FIXTURE

MODEL

- C** - Compact **S** - Small

OUTPUT⁽¹⁾

- BO** - Base output **HO** - Hight output

LED

- 830** - 3000K, 80CRI **840** - 4000K, 80CRI

OPTIC

- SP** - Spot **FL** - Flood **WF** - Wide flood

VOLTAGE

- UNV** - 120-277V

FINISH

- 15** - Gray

DIMMING*

- D10** - 0-10V **LTE** - Leading and trailing edge (120V only)

⁽¹⁾ Available for compact model.

* 15% dimming options: For leading and trailing edge and 0-10V (LTE and D10), the dimming levels will vary depending on the dimmer used and the number of luminaires on the line.

POLE Ø4" (Ø 102mm)

(To be ordered separately)

- SUPPLIED BY OTHER
CONTACT FACTORY FOR POLE SPECIFICATION

- SUPPLIED BY IGUZZINI NORTH AMERICA
CONTACT FACTORY FOR POLE SPECIFICATION

HEIGHT: _____ FT

MODEL: Straight Wall Mount

INSTALLATION: Anchor bolts

ACCESS DOOR: Included (3' from ground)

MATERIAL: Aluminum

Galvanized steel

FINISH: 15 - Gray RAL9007

Custom RAL _____

ACCESSORIES

INTERCHANGEABLE ALUMINUM REFLECTOR

Spot 10°

- 6187** - For MaxiWoody compact (8°)
- 6192** - For MaxiWoody small (8°)

Flood 30°

- 6193** - For MaxiWoody small (30°)
- 6188** - For MaxiWoody compact (30°)

Wide Flood 45°

- 6189** - For MaxiWoody compact (45°)
- 6194** - For MaxiWoody small (45°)



CYLINDRICAL SCREEN (GRAY)

*FOR SPOT MODEL ONLY

- BZE7** - Snoot gray with black inner surface for MaxiWoody compact
- 6191** - Snoot gray with black inner surface for MaxiWoody small



SINGLE DIRECTIONAL FIN (BLACK)

- BZE8** - For MaxiWoody compact
- BZ73** - For MaxiWoody small



DIFFUSER GLASS

- BZD6** - For MaxiWoody compact
- 1158** - For MaxiWoody small



REFRACTOR FOR ELLIPTICAL DISTRIBUTION

- BZD8** - For MaxiWoody compact
- 1195** - For MaxiWoody small



PRISMATIC DIFFUSER GLASS

- 6186** - For MaxiWoody compact
- 6190** - For MaxiWoody small



PROTECTION GRILLE (BLACK)

- BZE6** - For MaxiWoody compact
- 5943** - For MaxiWoody small



VISOR (GRAY)

- BZE9** - For MaxiWoody compact
- 5940** - For MaxiWoody small



MOUNTING MULTIWOODY

(To be ordered separately)



FLANGE FOR INSTALLATION ON POLES (GRAY)

- 6012-15** - Ø4½" for 1 fixture
- 6111-15** - Ø4" for 1 fixture
- 6013-15** - Ø4½" for 2 fixtures
- 6112-15** - Ø4" for 2 fixtures



SIMPLE ARM (GRAY)

- 6113-15** - Ø4½" for 1 fixture length: 15¾" (400mm)
- 6116-15** - Ø4" for 1 fixture length: 15¾" (390mm)
- 6114-15** - Ø4½" for 2 fixtures length: 31¼" (795mm)
- 6117-15** - Ø4" for 2 fixtures length: 30⅞" (785mm)



COUNTER FLANGE (GRAY)

- 6115-15** - Ø4½" pole counter flange
- 6118-15** - Ø4" pole counter flange



ADAPTOR DISK (GRAY)

- 6119-15** - Arm adapter disk for 360°



WALL SUPPORT

- 6014-15** - for 2 fixtures length: 37¼" (960mm)
- 6015-15** - for 3 fixtures length: 61¾" (1560mm)

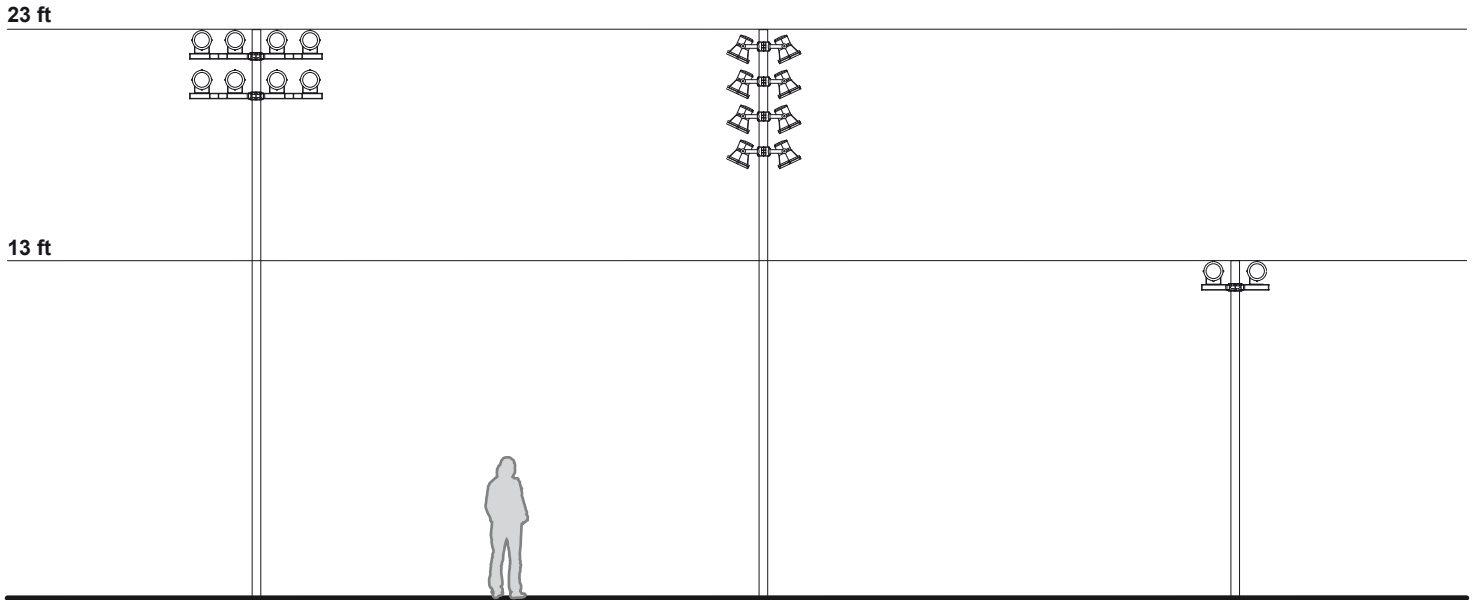


PLATE FOR GROUND ANCHORAGE

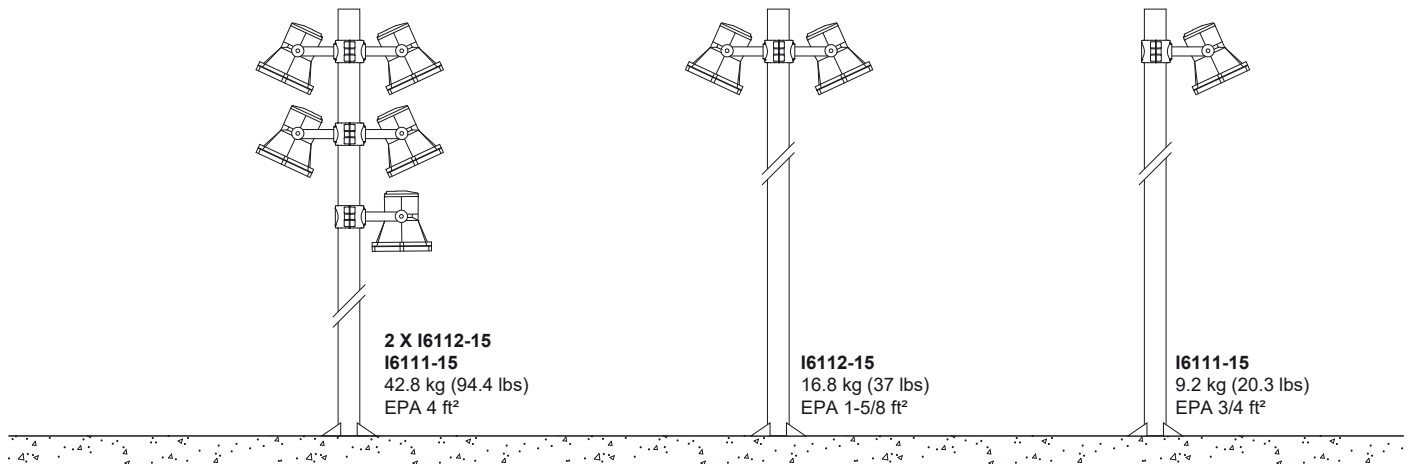
- 5951-15**



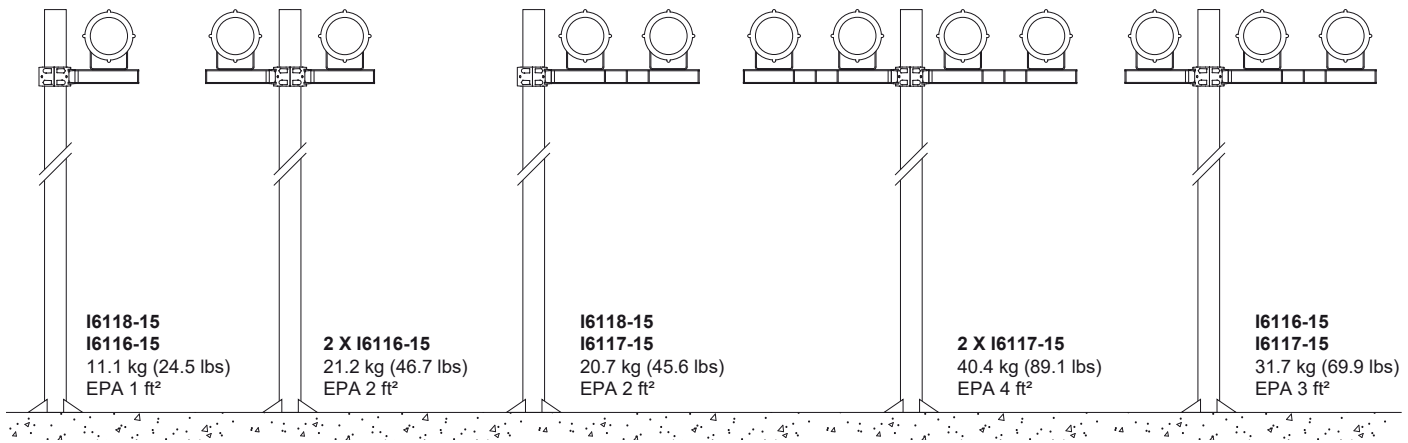
MOUNTING



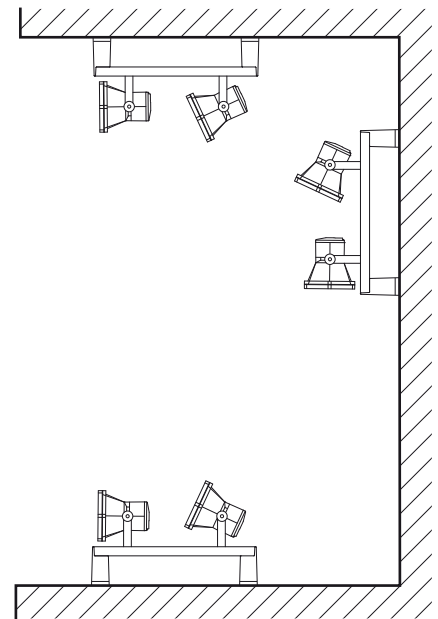
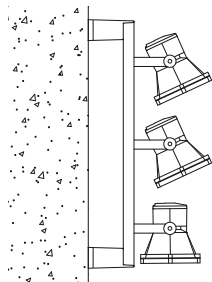
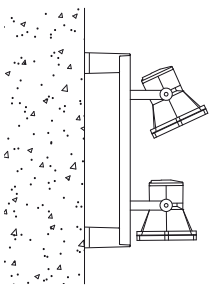
STRAIGHT Ø4" POLES



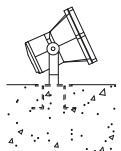
MULTIWOODY



WALL SUPPORT

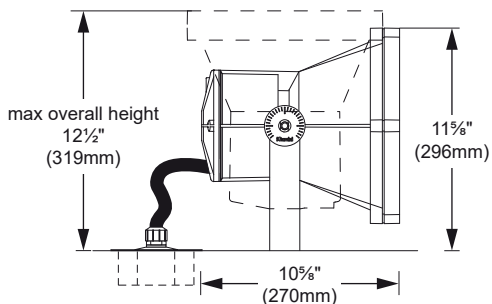


GROUND MOUNT

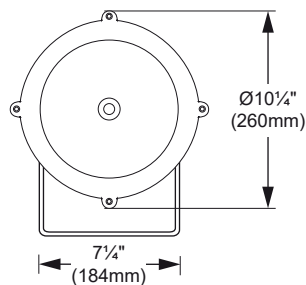


DIMENSIONS

COMPACT Ø10¼"

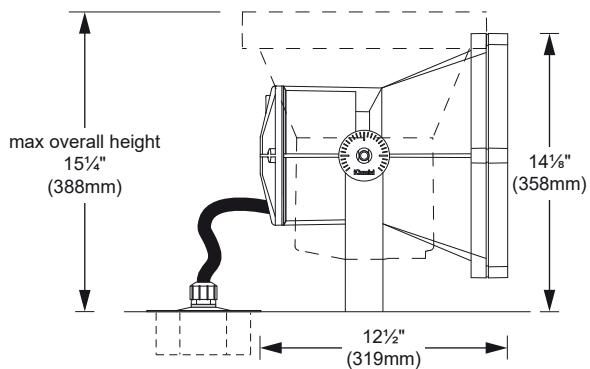


SIDE VIEW

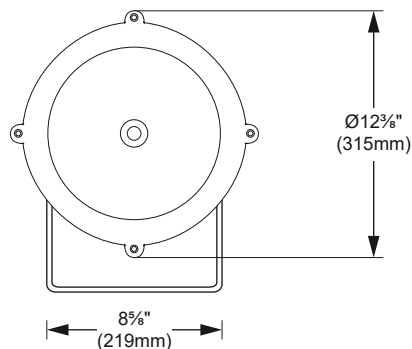


FRONT VIEW

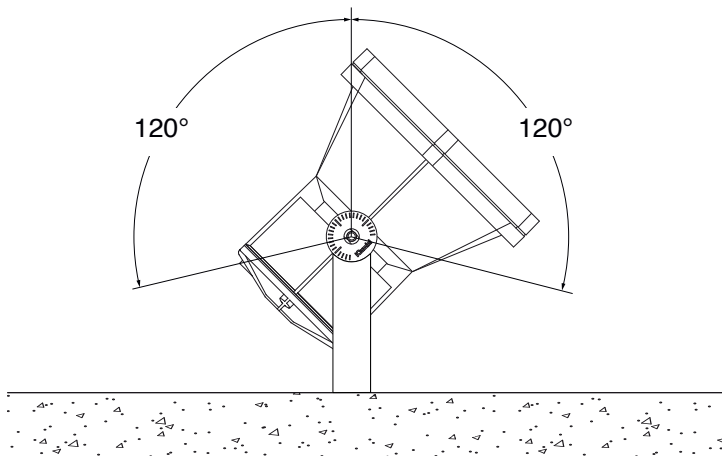
SMALL Ø12⅜"



SIDE VIEW



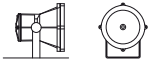
FRONT VIEW



PHOTOMETRIC DATA

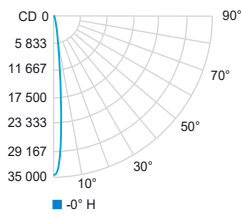
Visit iguzzini.com/us for complete photometric data.

C - Compact



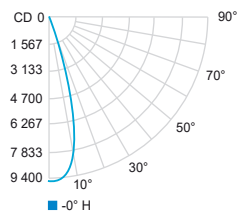
CCT (K)	CRI	OUTPUT (W)	LOAD (W)	OPTIC	LUMENS (lm)	EFFICACY (lm / w)	MAX CANDELA (cd)	MODELS
3000K	80	BO	28W	Spot 10°	2 615	93	34 620	IWMX-C-BO-830-SP
				Flood 31°	2 920	104	9 370	IWMX-C-BO-830-FL
				Wide flood 48°	2 925	104	4 945	IWMX-C-BO-830-WF
4000K		Spot 10°	2 685	95	35 505	IWMX-C-BO-840-SP		
			Flood 31°	2 995	106	9 610	IWMX-C-BO-840-FL	
			Wide flood 48°	3 000	107	5 075	IWMX-C-BO-840-WF	
3000K	80	HO	41.5W	Spot 10°	3 725	89	50 345	IWMX-C-HO-830-SP
				Flood 31°	4 160	97	13 860	IWMX-C-HO-830-FL
				Wide flood 48°	4 165	100	7 115	IWMX-C-HO-830-WF
4000K		Spot 10°	3 820	92	51 635	IWMX-C-HO-840-SP		
			Flood 31°	4 265	102	14 210	IWMX-C-HO-840-FL	
			Wide flood 48°	4 270	102	7 295	IWMX-C-HO-840-WF	

Spot 10° BO (3000K, 80 CRI)



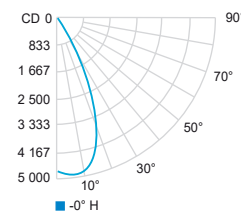
Center Beam fc	Beam Width ft	
2ft	8656	0.4
4ft	2164	0.7
6ft	962	1.1
8ft	541	1.5
10ft	346	1.8
12ft	240	2.2

Flood 31° BO (3000K, 80 CRI)



Center Beam fc	Beam Width ft	
2ft	2343	1.1
4ft	586	2.2
6ft	260	3.3
8ft	146	4.4
10ft	93.7	5.6
12ft	65.1	6.7

Wide flood 48° BO (3000K, 80 CRI)

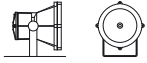


Center Beam fc	Beam Width ft	
2ft	1212	1.8
4ft	303	3.5
6ft	135	5.3
8ft	75.8	7.0
10ft	48.5	8.8
12ft	33.7	10.5

PHOTOMETRIC DATA

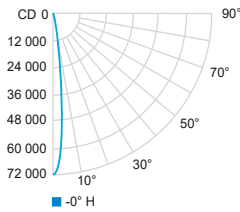
Visit iguzzini.com/us for complete photometric data.

S - Small



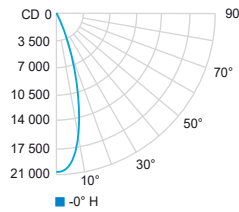
CCT (K)	CRI	LOAD (W)	OPTIC	LUMENS (lm)	EFFICACY (lm / w)	MAX CANDELA (cd)	MODELS
3000K	80	60W	Spot 10°	6 115	101	71 530	IWMX-S-830-SP
			Flood 30°	6 715	111	20 685	IWMX-S-830-FL
			Wide flood 45°	6 720	112	11 980	IWMX-S-830-WF
4000K			Spot 10°	6 275	104	73 370	IWMX-S-840-SP
			Flood 30°	6 890	114	21 220	IWMX-S-840-FL
			Wild flood 45°	6 895	114	12 290	IWMX-S-840-WF

Spot 10° (3000K, 80 CRI)



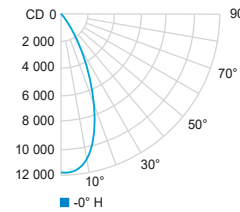
	Center Beam fc	Beam Width ft
2ft	17883	0.4
4ft	4471	0.8
6ft	1987	1.3
8ft	1118	1.7
10ft	715	2.1
12ft	497	2.5

Flood 30° (3000K, 80 CRI)



	Center Beam fc	Beam Width ft
2ft	5172	1.1
4ft	1293	2.1
6ft	575	3.2
8ft	323	4.3
10ft	207	5.3
12ft	144	6.4

Wide flood 45° (3000K, 80 CRI)



	Center Beam fc	Beam Width ft
2ft	2996	1.7
4ft	749	3.3
6ft	333	5.0
8ft	187	6.7
10ft	120	8.3
12ft	83.2	10.0