

High efficiency linear system for exterior applications. Patented optic Opti Beam linear delivers superior performance with 8 distributions, symmetric, asymmetric grazer and elliptical distributions. Integral honeycomb, longitudinal and transversal louver for improved visual comfort.
 Design: Jean-Michel Wilmotte



Luminaire characteristic: Power input: 4W/ft, 7W/ft or 12W/ft
 Lumens: Up to 1010lm/ft (for 3000K, 80CRI)
 Luminaire efficacy: Up to 117lm/W

Source: White LED (LM-80),
 2700K, 3000K, 4000K: 80CRI.
 Lumen maintenance: 100 000 hours L80 for maximum wattage.

Optic: 12°X12°, 38°X38°, 42°X42°, 13°X18°, 20°X20°,
 20°X60°, 25°X35°, 40°X85°.

Material: Body: Extruded aluminum
 End caps: Die-cast aluminum alloy
 Protective screen: 3/16" (4mm) sodium-calcium
 tempered sealing glass with silk screen.
 Optic diffuser: PMMA (polymethyl methacrylat)
 Hardware: Stainless steel.

Mounting: Universal Surface mounting, using mounting
 accessories (included). Supplied with
 6.5' (2000mm) long cable (page 6).

Electrical: 48Vdc nominal voltage (44 to 52Vdc).

Dimming: Down to 1%, 0-10V dimming (120-277V) or
 down to 0%, DMX RDM (120-277V) (page 2).

Temperature of operation: -22°F to 113°F (-30°C to 45°C)

Glass surface temperature: 104°F (40°C) maximum.

Finish: Gray painted (RAL9007) with a high level of
 weather and UV resistance. The semi-gloss finish
 coating is electrostatically applied, durable acrylic
 enamel baked at high temperatures for superior
 color retentive finish.

Weight: 1.9lb/ft (0.86kg/ft)

Warranty: 5 year limited warranty.

Ratings: IP66, IK05

Certification:  cULus listed for wet location



ORDERING INFO

ILM47 - - - - - REM 15
FIXTURE



MODEL

LM47 - Linealuce 47

LENGTH

MAX LENGTH ON A SINGLE FEED ⁽¹⁾		
BO	MO	HO
69ft	39ft	25ft

OUTPUT

BO - Base output **MO** - Medium output **HO** - High output

LED

827 - 2700K, 80CRI **830** - 3000K, 80CRI **840** - 4000K, 80CRI

OPTIC

Symmetrical

12°X12°
 38°X38°
 42°X42°

Grazer

13°X18°
 20°X20°
 20°X60°

Elliptical

25°X35°⁽²⁾
 40°X85°⁽²⁾

MOUNTING

M (Surface) **G** (Ground spike)⁽³⁾
 1 - Short arm with granular adjustment **2** - Short adjustable arms **3** - Adjustable arms L: 2³/₈" **4** - Adjustable arms⁽³⁾ L: 3¹/₈" **5** - Adjustable arms⁽⁴⁾ L: 8⁵/₈"

VOLTAGE

REM - Remote

FINISH

15 - Gray

DIMMING

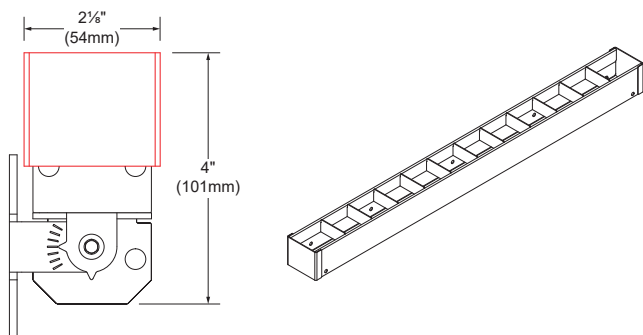
D10 - 0-10V (down to 1%) **DMX** - DMX CONTROL (down to 0%)

⁽¹⁾ To specify longer lengths, multiple product code must be used. See page 7 for example.
⁽²⁾ Not compatible with internal accessories (**A3, A4, A5**).
⁽³⁾ Ground spike with 3¹/₈" adjustable arms (**G4**) not compatible with external accessories (**A1, A2**).
⁽⁴⁾ Available for surface (**M**) mounting.

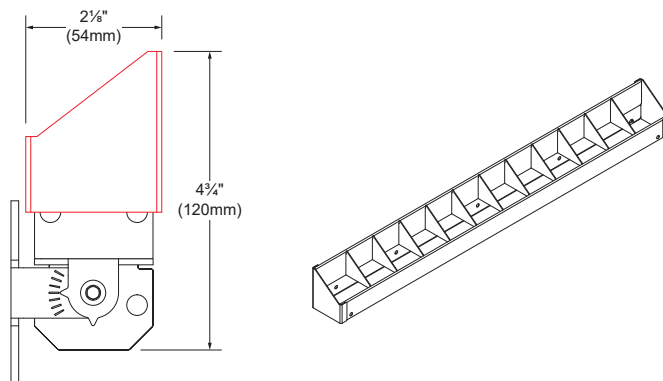
FIXTURE ACCESSORIES (optional)

EXTERNAL ACCESSORIES (for installation consult the instruction sheet)

A1 - Symmetrical external screen

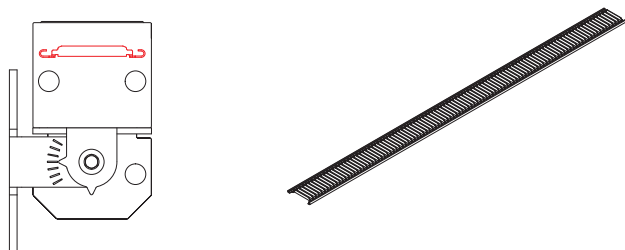


A2 - Asymmetrical external screen

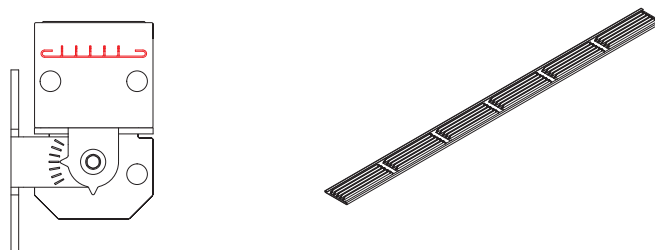


INTERNAL ACCESSORIES (Installed in factory)

A3 - Internal transversal louver



A4 - Internal longitudinal louver

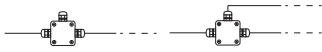


A5 - Honeycomb louver



ACCESSORIES (TO BE ORDERED SEPARATELY)

4543 - Wet location junction box



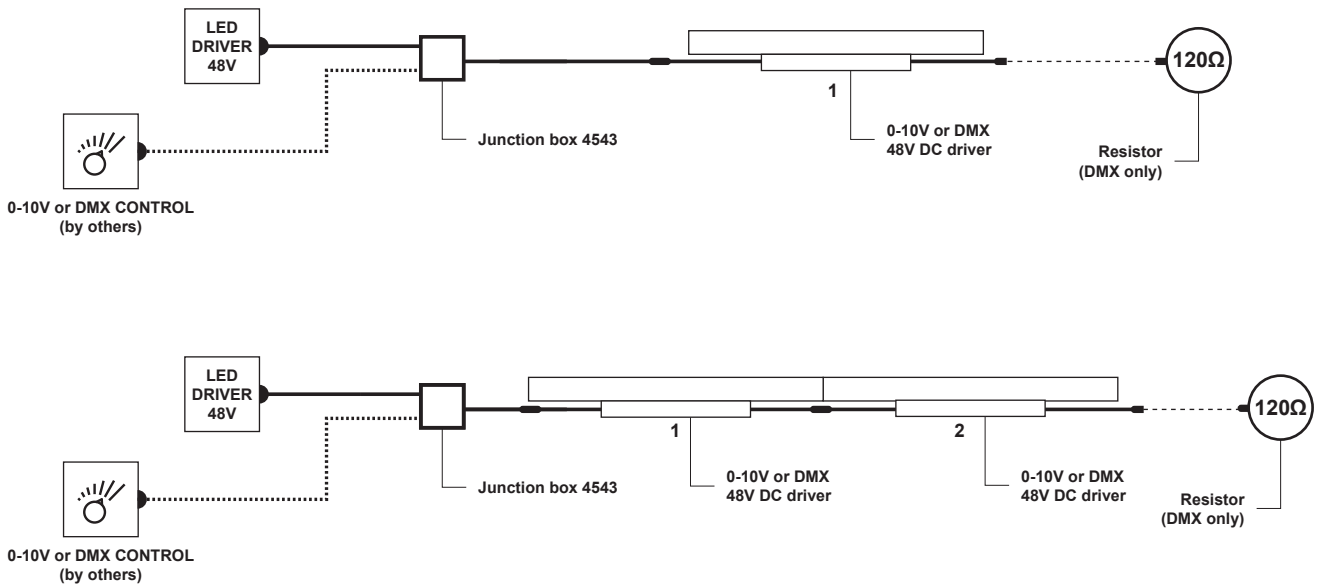
REMOTE LED DRIVER OPTIONS

(TO BE ORDERED SEPARATELY)
*Electronic driver 0-10V or DMX included in fixture

Watts	Voltage	Rated	Dimensions	Maximum nominal length		
				BO	MO	HO
<input type="checkbox"/>	4554-0048-120-UNV-ND					
120	120-277V	Outdoor / wet location	14½" x 6½" x 3½" (362 x 159 x 89mm)	29' (8.75m)	17' (5m)	10' (3m)
<input type="checkbox"/>	4554-0048-240-UNV-ND					
240	120-277V	Outdoor / wet location	14½" x 6½" x 3½" (362 x 159 x 89mm)	59' (17.75m)	35' (10.5m)	20' (6m)
<input type="checkbox"/>	4554-0048-480-UNV-ND					
480	120-277V	Outdoor / wet location	14½" x 6½" x 3½" (362 x 159 x 89mm)	69' (21m)	39' (12m)	25' (7.75m)

* For max remote distance, consult instruction sheet.

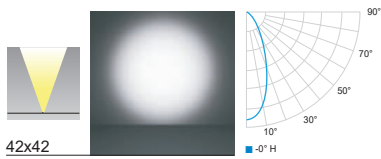
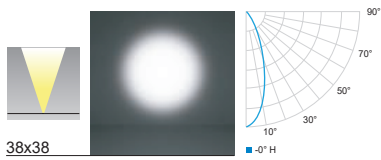
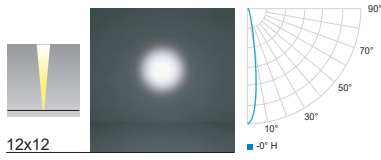
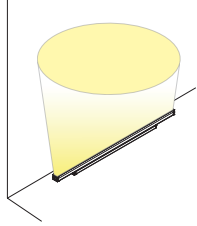
WIRING EXAMPLE



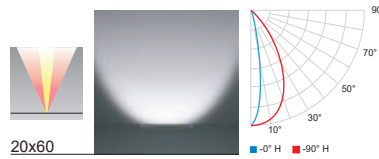
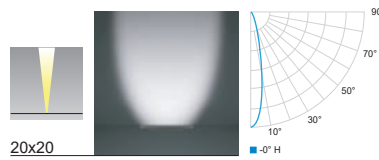
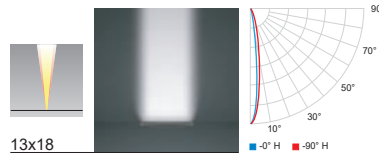
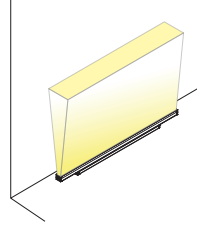
OVERVIEW

OPTICS

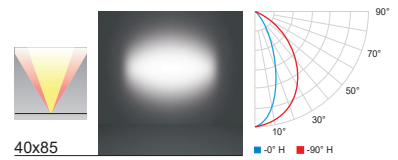
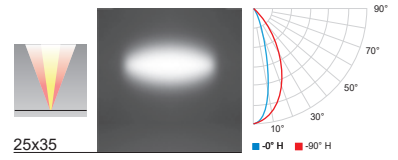
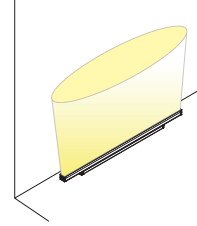
SYMMETRICAL



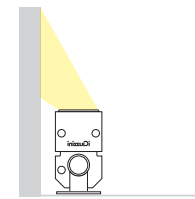
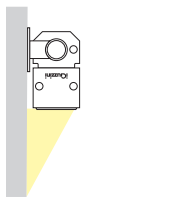
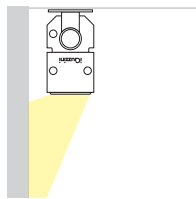
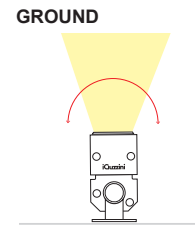
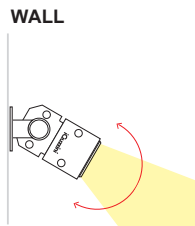
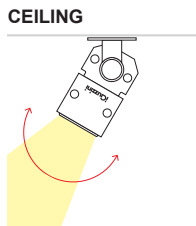
GRAZER



ELLIPTICAL

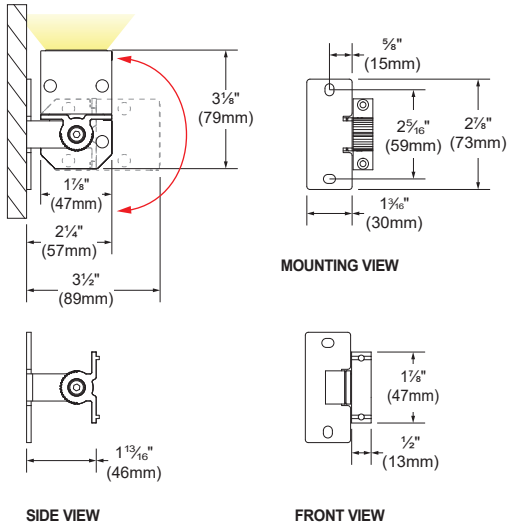


INSTALLATIONS
 180° orientable arms

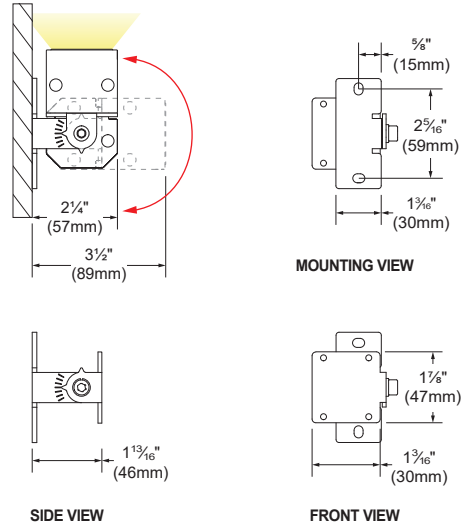


MOUNTING AND DIMENSIONS

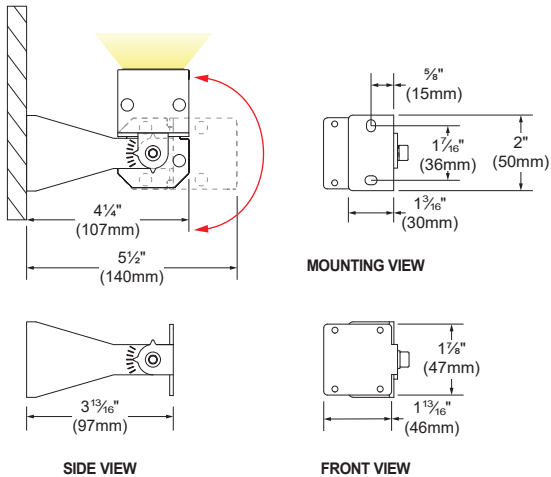
1 - Short arm with granular adjustment



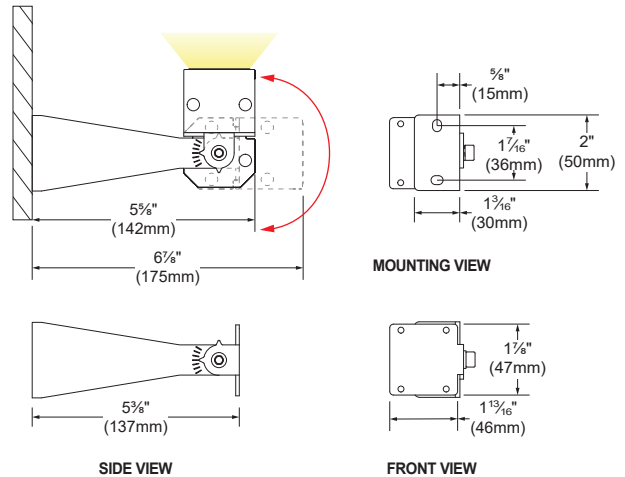
2 - Short adjustable arms



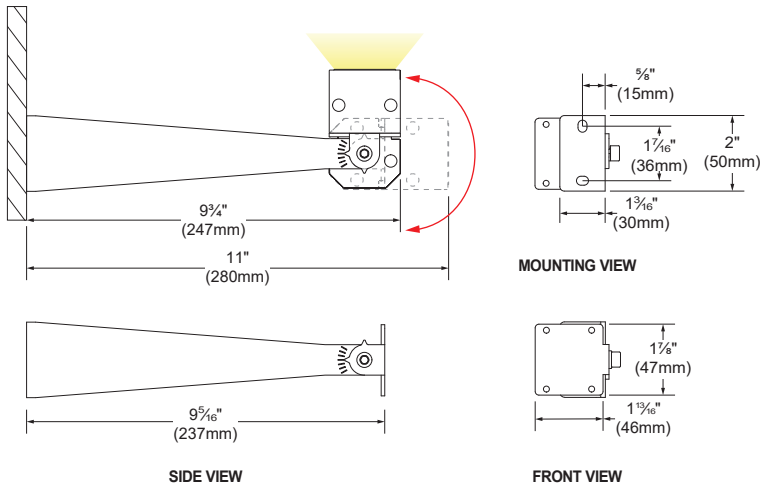
3 - Stainless steel adjustable arms L: 2 3/8" (60mm)



4 - Stainless steel adjustable arms L: 3 1/8" (100mm)

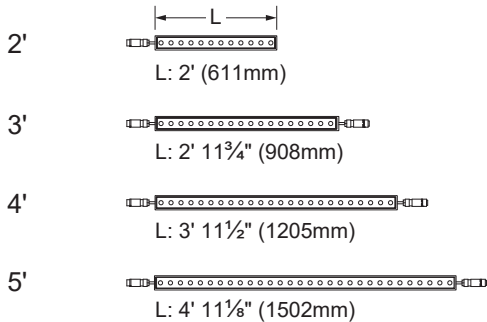


5 - Stainless steel adjustable arms L: 8 3/4" (223mm)



LENGTHS

Except for 2' units, all units are equipped with 2 connectors (male / female) for through wiring.

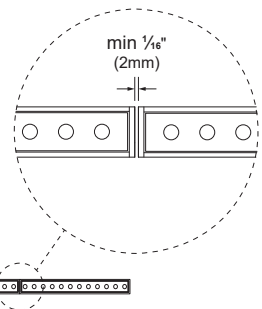
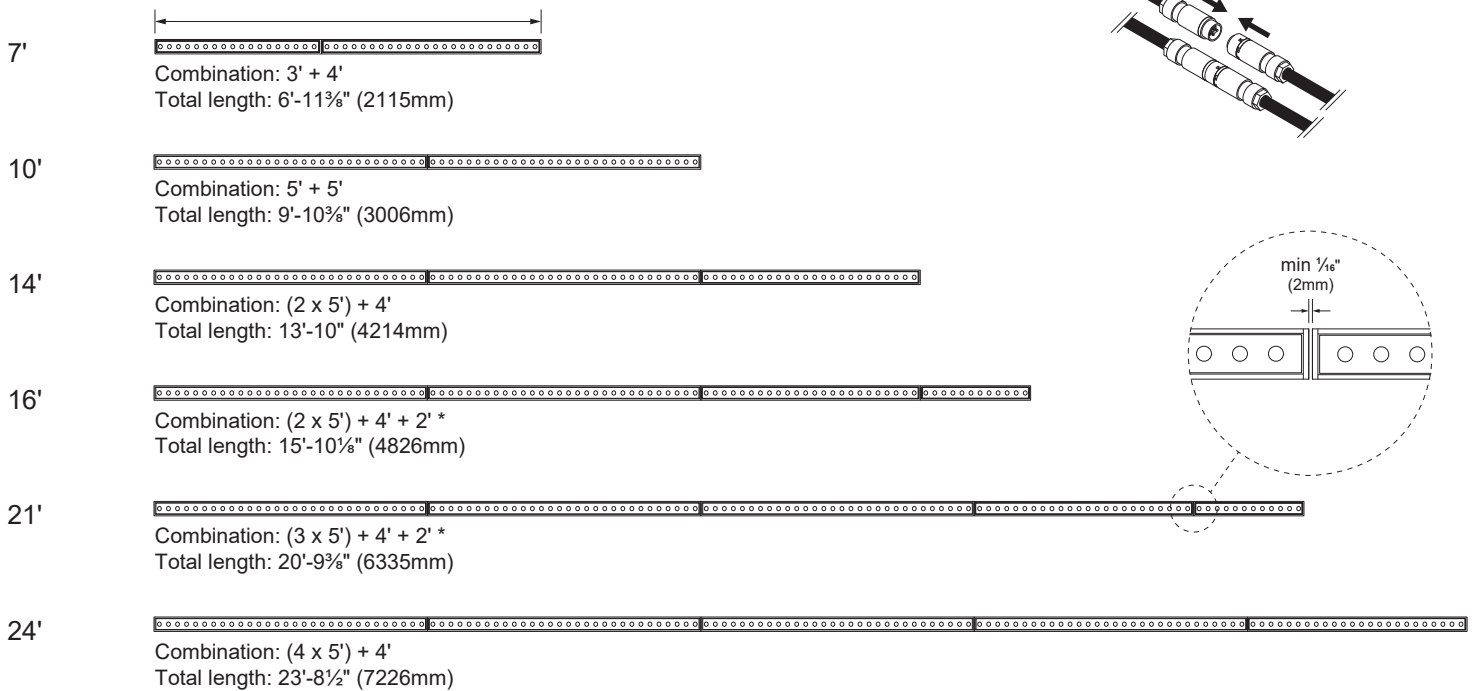
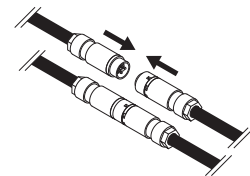


CONTINUOUS ROWS EXAMPLE

Single elements can be combined to obtain dark spot free continuous row with a single feed point. Interconnecting power cable and hardware are preconfigured at the factory and supplied with the luminaires.

MAX LENGTH ON A SINGLE FEED		
BO	MO	HO
69ft	39ft	25ft

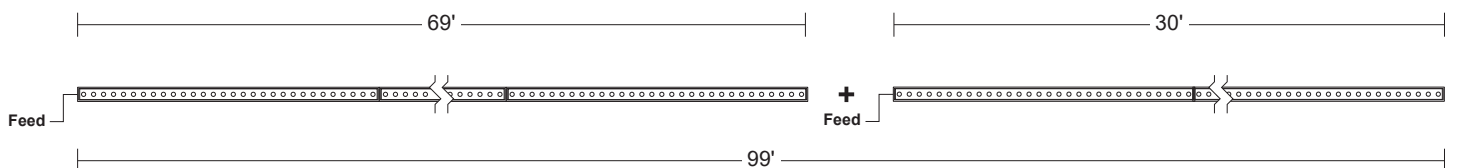
PLUG AND PLAY QUICK CONNECTOR INSTALLATION



* 2' units are to be used as single units or at the end of a line.

EXAMPLE: COVERING A 99-FOOT FACADE

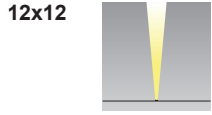
ILM47-69-BO-XXX-XXXXX-XX-REM15DMX + ILM47-30-BO-XXX-XXXXX-XX-REM15DMX



PHOTOMETRIC DATA

Photometric data based on maximum power consumption (5' unit). Use the multiplier table for other cct and cri output data.

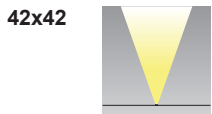
SYMMETRICAL



CCT (K)	CRI	OUTPUT	LOAD (W/ft)	LUMENS (lm/ft)	EFFICACY (lm/w)	MAX CANDELA (cd)
3000K	80	BO	4W/ft	425	117	29 170
		MO	7W/ft	725	107	49 535
		HO	12W/ft	1 130	96	77 415

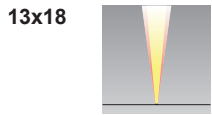


3000K	80	BO	4W/ft	310	86	2 440
		MO	7W/ft	530	78	4 145
		HO	12W/ft	825	70	6 480

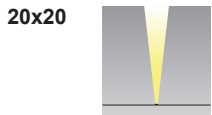


3000K	80	BO	4W/ft	345	96	2 225
		MO	7W/ft	590	87	3 780
		HO	12W/ft	925	79	5 910

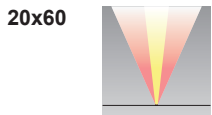
GRAZER



3000K	80	BO	4W/ft	365	102	9 680
		MO	7W/ft	625	92	16 440
		HO	12W/ft	980	83	25 685



3000K	80	BO	4W/ft	300	83	4 375
		MO	7W/ft	510	75	7 430
		HO	12W/ft	800	68	11 615

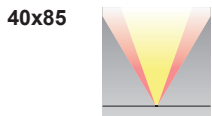


3000K	80	BO	4W/ft	345	96	3 525
		MO	7W/ft	590	87	5 990
		HO	12W/ft	925	79	9 365

ELLIPTICAL



3000K	80	BO	4W/ft	300	70	3 785
		MO	7W/ft	500	68	6 305
		HO	12W/ft	785	61	9 885



3000K	80	BO	4W/ft	270	63	1 200
		MO	7W/ft	450	60	2 000
		HO	12W/ft	705	55	3 135

CCT options	2700K	3000K	400K
CRI options	80CRI	80CRI	80CRI
Multiplier	0.92	1	1