




These projectors are made of die-cast aluminum and use the latest generation LEDs. Thanks to a wide range of accessories, the Front Light indoor spotlight can be used to create lighting setups which make shops and commercial spaces seem more dynamic and attractive, guaranteeing precise lighting of items, avoiding glare and offering a high visual comfort.



Luminaire characteristic:

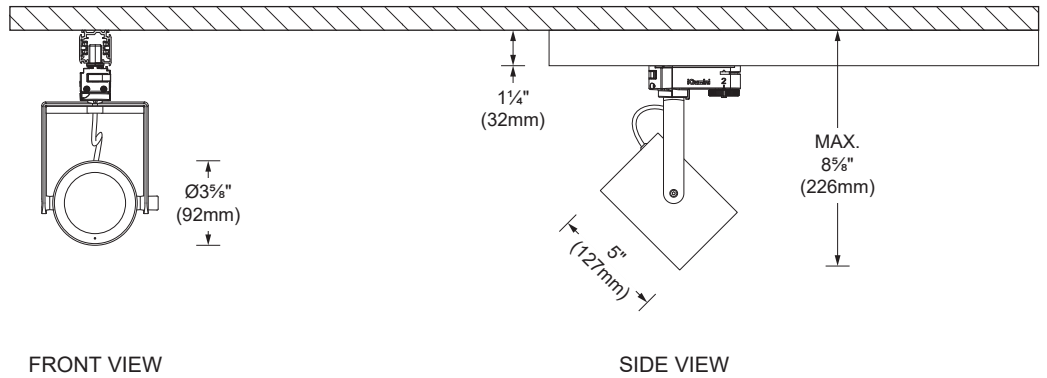
Power input: 7.5W to 52W
Lumens: 235lm to 5205lm (for 3000K, 80CRI)
Luminaire efficacy: up to 107lm/W

Source:	White LED (LM-80 tested) 3000K : 80 or 90CRI, 4000K : 80CRI.
Lumen maintenance:	80% of initial lumens at 50 000 hours (L80).
Optic:	Super spot, spot, medium, flood and wide flood.
Material:	Optical body and arm: die-cast aluminum Accessory holder ring: thermoplastic Reflector: formed aluminum (all optics except super spot) Lens: methacrylate (only for super spot optic) Protective screen: glass.
Mounting:	Track adaptor with circuit selector for two circuits track. Also, compatible with TEK or HTEK from Nordic Aluminum.
Electrical:	Integral high efficiency power supply 120 / 277V
Dimming:	Leading (Triac) and trailing edge (LTE) dimming available, for 120V only (10% minimum dimming).
Finish:	White RAL9010, black.
Weight:	Mini: 2.2lbs (1kg) Small: 3.1lbs (1.4kg) Large: 4.4lbs (2kg)
Warranty:	5 year limited warranty.
Rating:	IP20 - IP40 for optical assembly.
Certification:	 cULus listed for dry location.

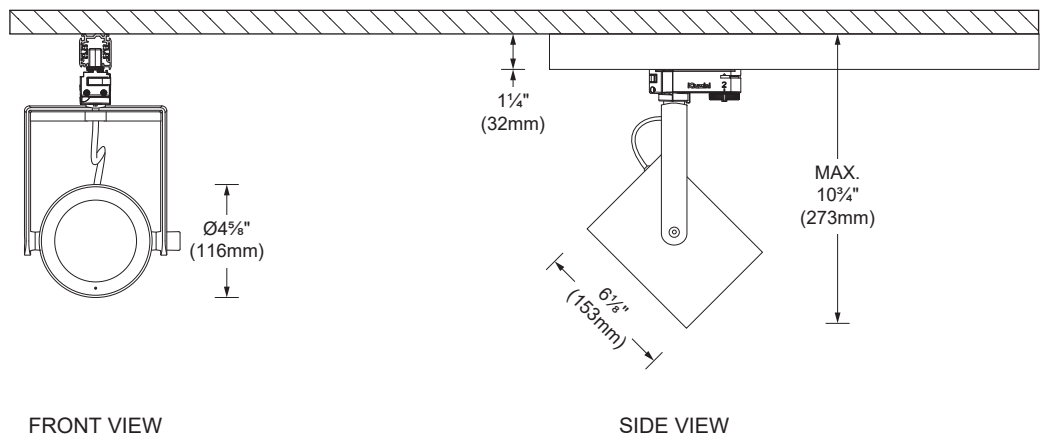


DIMENSION

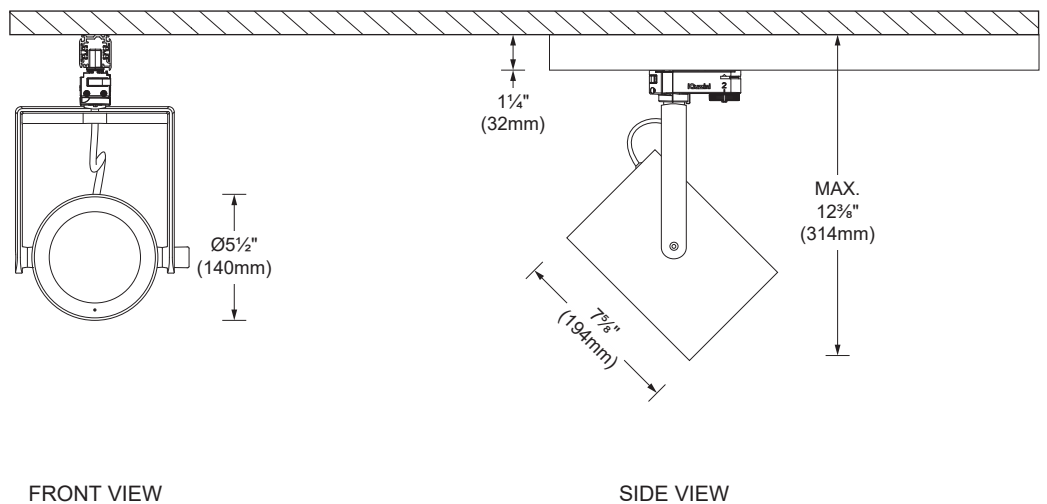
MINI Ø92mm



SMALL Ø116mm



LARGE Ø140mm



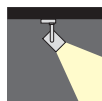
LED COLOR FIDELITY DATA

CRI	CCT	R1	R2	R3	R4	R5	R6	R7	R8	R9	R10	R11	R12	R13	R14	R15	Rf	Rg	Melanopic ratio
80	3000K	81	92	96	81	82	90	82	58	5	82	81	73	84	98	-	85	95	0.528
	4000K	82	91	96	82	83	87	86	65	11	78	82	65	85	98	-	85	95	0.694
90	3000K	94	97	99	94	94	96	93	83	62	92	95	84	95	99	-	93	99	0.563

PHOTOMETRIC DATA

Visit www.iguzzini.com/us for complete photometric data.

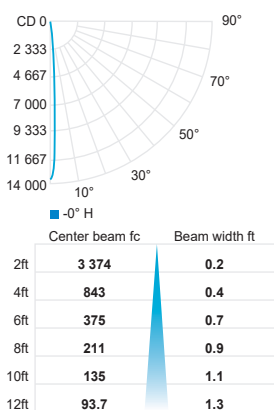
MINI
Ø92mm



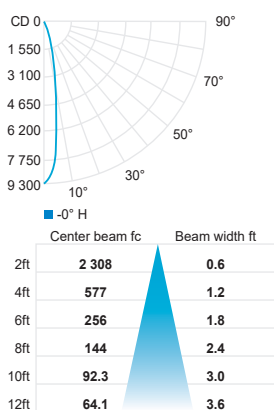
CCT (K)	CRI	OUTPUT	LOAD (W)	OPTIC	LUMENS (lm)	EFFICACY (lm/w)	MAX CANDELA (cd)	MODELS
3000K	90	BO	7.5W	Super spot 6°*	235	31	13 495	I.FLM-BO-930-SS
	80	BO	16W	Medium 17°	1 630	101	10 770	I.FLM-BO-830-MD
				Flood 32°	1 675	104	5 165	I.FLM-BO-830-FL
				Wide flood 54°	1 655	103	2 130	I.FLM-BO-830-WF

*USE MULTIPLIER TABLE FOR OTHER CCT AND CRI OUTPUT DATA

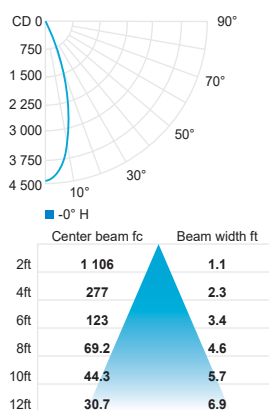
Super spot HO 6° (3000K, 90 CRI)



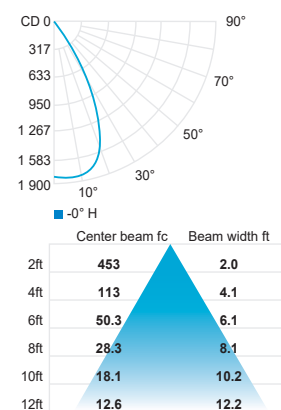
Medium BO 17° (3000K, 90 CRI)



Flood BO 32° (3000K, 90 CRI)



Wide flood BO 54° (3000K, 90 CRI)



CCT options	3000K	3000K	4000K
CRI options	80CRI	90CRI	80CRI
Multiplier	1	1.02	1.01

PHOTOMETRIC DATA

Visit www.iguzzini.com/us for complete photometric data.

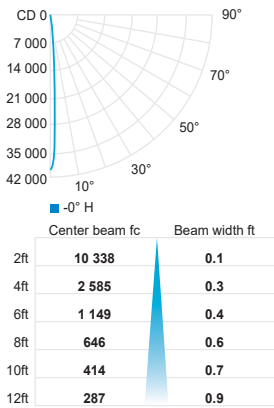
SMALL
Ø116mm



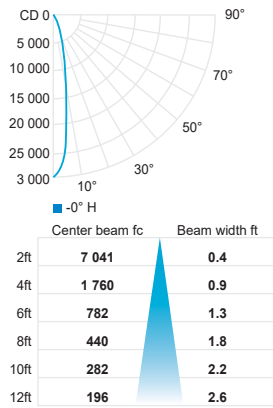
CCT (K)	CRI	OUTPUT	LOAD (W)	OPTIC	LUMENS (lm)	EFFICACY (lm/w)	MAX CANDELA (cd)	MODELS
3000K	90	BO	13W	Spot 13°	435	35	45 530	I.FLS-BO-930-SS
	80	HO	23W	Spot 13°	2 410	104	29 100	I.FLS-HO-830-SP
				Flood 29°	2 380	103	7 265	I.FLS-HO-830-FL
				Wide flood 41°	2 475	107	5 260	I.FLS-HO-830-WF

***USE MULTIPLIER TABLE FOR OTHER CCT AND CRI OUTPUT DATA**

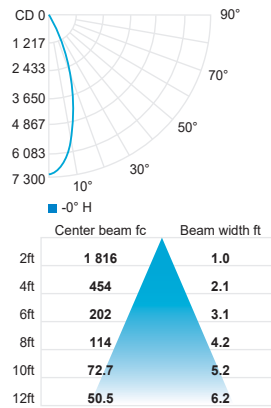
Super spot HO 6° (3000K, 90 CRI)



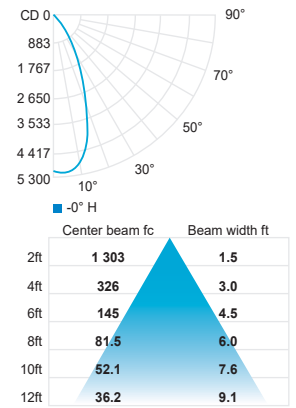
Spot HO 13° (3000K, 90 CRI)



Flood HO 29° (3000K, 90 CRI)



Wide flood HO 41° (3000K, 90 CRI)



Output	HO	
Power	23W	29.5W
Dimming	no dimming / LTE	no dimming / LTE
LED	830	930
Multiplier	1	0.97

PHOTOMETRIC DATA

Visit www.iguzzini.com/us for complete photometric data.

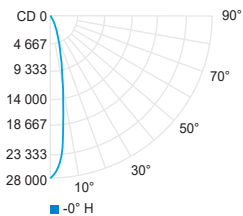
LARGE
Ø140mm



CCT (K)	CRI	OUTPUT	LOAD (W)	OPTIC	LUMENS (lm)	EFFICACY (lm/w)	MAX CANDELA (cd)	MODELS
3000K	80	BO	37W	Medium 17°	3 935	106	28 340	I.FLL-BO-830-MD
				Flood 31°	3 935	106	13 140	I.FLL-BO-830-FL
				Wide flood 46°	3 940	106	7 505	I.FLL-BO-830-WF
		HO	52W	Medium 17°	5 195	99	36 515	I.FLL-BO-830-MD
				Flood 31°	5 195	99	17 075	I.FLL-BO-830-FL
				Wide flood 46°	5 205	100	9 705	I.FLL-BO-830-WF

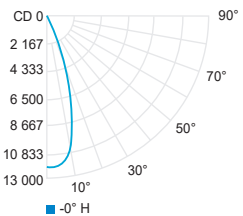
***USE MULTIPLIER TABLE FOR OTHER CCT AND CRI OUTPUT DATA**

Medium BO 17° (3000K, 90 CRI)



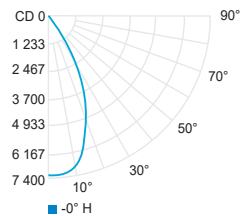
Center beam fc	Beam width ft
2ft	6 949 0.6
4ft	1 737 1.2
6ft	772 1.8
8ft	434 2.4
10ft	278 3.0
12ft	193 3.6

Flood BO 31° (3000K, 90 CRI)



Center beam fc	Beam width ft
2ft	3 221 1.1
4ft	805 2.2
6ft	358 3.3
8ft	201 4.4
10ft	129 5.4
12ft	89.5 6.7

Wide flood BO 46° (3000K, 90 CRI)



Center beam fc	Beam width ft
2ft	1 833 1.7
4ft	458 3.4
6ft	204 5.1
8ft	115 6.8
10ft	73.3 8.5
12ft	50.9 10.2

Output	BO				HO	
	37W	47W	40W	37W	52W	52W
Power	37W	47W	40W	37W	52W	52W
Dimming	no dimming / LTE	no dimming	LTE	no dimming / LTE	no dimming	no dimming
LED	830	930	930	840	830	840
Multiplier	1	1.02	0.92	1.02	1	1.03

ORDERING INFO

I.FL - - - - -
FIXTURE

MODEL

- M** - Mini **S** - Small **L** - Large

OUTPUT

- | | | |
|--|--|--|
| MINI | SMALL | LARGE |
| <input type="checkbox"/> BO - Base output | <input type="checkbox"/> BO - Base output | <input type="checkbox"/> BO - Base output |
| | <input type="checkbox"/> HO - High output | <input type="checkbox"/> HO - High output ⁽¹⁾⁽²⁾ |

LED

- | | | |
|---|---|---|
| MINI | SMALL | LARGE |
| <input type="checkbox"/> 830 - 3000K, 80 CRI | <input type="checkbox"/> 830 - 3000K, 80 CRI | <input type="checkbox"/> 830 - 3000K, 80 CRI |
| <input type="checkbox"/> 840 - 4000K, 80 CRI | <input type="checkbox"/> 840 - 4000K, 80 CRI | <input type="checkbox"/> 840 - 4000K, 80 CRI |
| <input type="checkbox"/> 930 - 3000K, 90 CRI | <input type="checkbox"/> 930 - 3000K, 90 CRI | <input type="checkbox"/> 930 - 3000K, 90 CRI |

OPTIC

- | | | |
|--|--|---|
| MINI | SMALL | LARGE |
| <input type="checkbox"/> SS - Super spot 6° ⁽¹⁾⁽³⁾ | <input type="checkbox"/> SS - Super spot 4° ⁽³⁾ | |
| <input type="checkbox"/> MD - Medium 17° | <input type="checkbox"/> SP - Spot 13° ⁽⁴⁾ | <input type="checkbox"/> MD - Medium 17° |
| <input type="checkbox"/> FL - Flood 32° | <input type="checkbox"/> FL - Flood 29° ⁽⁴⁾ | <input type="checkbox"/> FL - Flood 31° |
| <input type="checkbox"/> WF - Wide flood 54° | <input type="checkbox"/> WF - Wide flood 41° ⁽⁴⁾ | <input type="checkbox"/> WF - Wide flood 46° |

VOLTAGE

- 120** - 120V **277** - 277V

FINISH

- 01** - White **02** - Black

DIMMING

- LTE** - Leading and trailing edge dimming (120V only)

⁽¹⁾ Not available with **LTE** dimming.
⁽²⁾ Front light large with high output (**HO**) only available in 3000K, 80CRI LED (**830**) or 4000K, 80CRI (**840**).
⁽³⁾ Super spot optic only available in base output (**BO**) and 3000K, 90CRI LED (**930**).
⁽⁴⁾ Small model (**S**) with spot (**SP**), flood (**FL**) and wide flood (**WF**) optics only available in high output (**HO**).

ACCESSORIES (TO BE ORDERED SEPARATELY)
for installation consult the instruction sheet

INTERCHANGEABLE REFLECTORS

MINI

- I.MXV2-12** - Medium
- I.MXV3-12** - Flood
- I.MXV4-12** - Wide flood

SMALL

- I.MX90-12** - Spot
- I.MX92-12** - Flood
- I.MX93-12** - Wide flood

LARGE

- I.MXA6-12** - Medium
- I.MXA7-12** - Flood
- I.MXA8-12** - Wide flood



LENS*

- I.MXV1-24** - Elliptical lens
- I.MY34-24** - Opti Beam elliptical lens**

- I.MXW3-24** - Soft focus lens
- I.MXV6-24** - Medium elliptical lens
- I.MY35-24** - Opti Beam elliptical lens**

- I.MWM6-24** - Soft focus lens
- I.MXY3-24** - Medium elliptical lens



OPTICAL ACCESSORIES*

- I.MY90-02** - Louvre (black)**

- I.MWY8-02** - Louvre (black)
- I.MY91-02** - Louvre (black)**

- I.MWY9-02** - Louvre (black)



* Only one accessory may be used at a time.

Accessories only available for **SUPER SPOT OPTIC (SS)