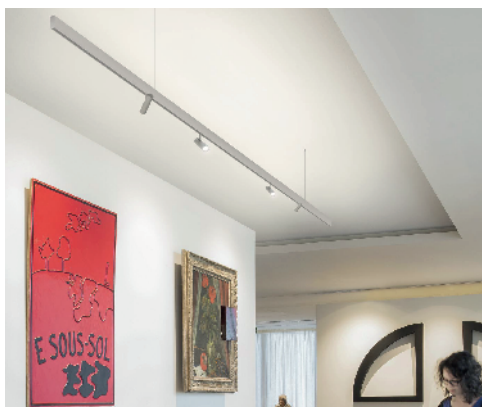



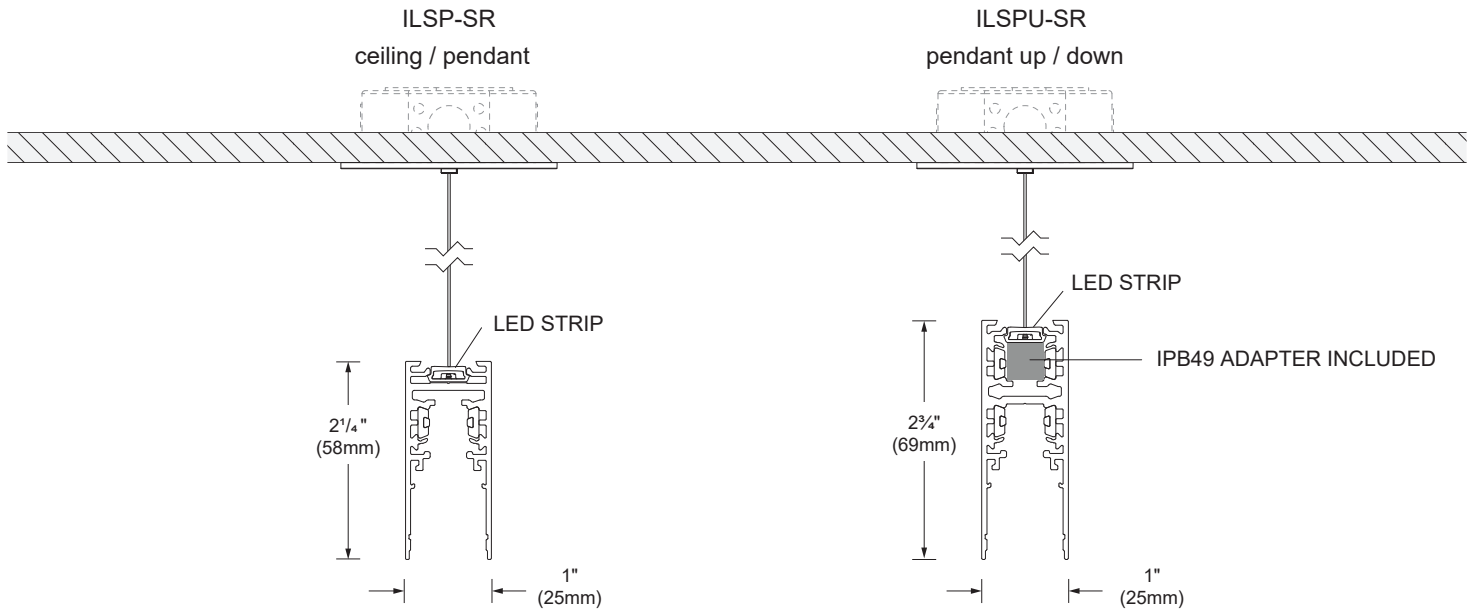


Linear lighting product with white monochromatic LEDs on a white flexible circuit coated with a layer of silicone. To be installed on the Superrail 48V track system. The adapter includes dimming capability allowing each light module to be adjusted separately.



Luminaire characteristics: (uplight)	Power input: 4.4W to 14.5W Lumens: 464lm to 1849lm (3000K, 90CRI) Luminaire efficacy: Up to 127lm/W
Source:	High efficiency LED (LM-80) 2700K: 90CRI, 3000K: 90CRI, 3500K: 90CRI, 4000K: 90CRI.
Lumen maintenance:	80% of initial lumens at 50 000 hours (L80) (LM79)
Optics:	General light
Material:	Flexible printed circuit coated Adaptor: Thermoplastic
Mounting:	Mechanical fastening on Superrail for uplight only
Electrical:	Superrail 48V track with remote power supply (Class 2 wiring).
Dimming:	0-10V single channel for complete track control. DALI individual fixture addressing and control. Refer to iGuzzini Superrail track specification for dimming options.
Finish:	Black or white adapter
Weight:	L300: 0.06b (0.03kg) L600: 0.15lb (0.07kg) L1200: 0.30lb (0.14kg)
Warranty:	5 year limited warranty.
Rating:	IP20
Certification:	 cULus listed for dry location

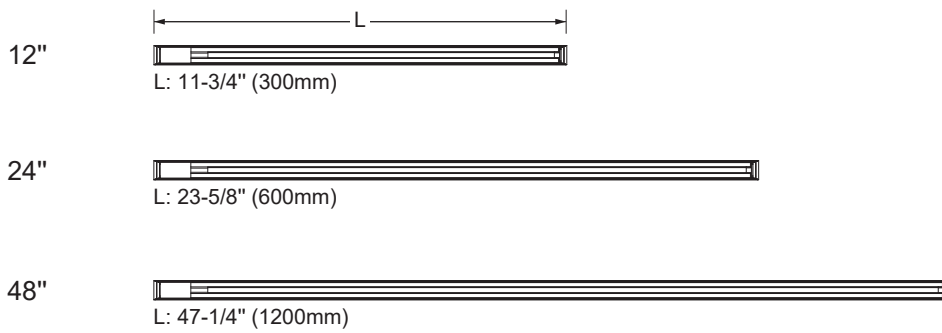
DIMENSIONS



SIDE VIEW

MODEL LENGTHS

NOMINAL LENGTH



PHOTOMETRIC DATA

Visit iguzzini.com/us for complete photometric data.

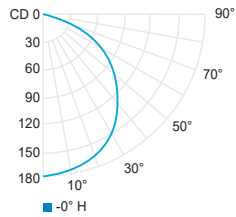
12" (300mm)



CCT (K)	CRI	LOAD (W)	OPTIC	LUMENS (lm)	EFFICACY (lm / W)	MAX CANDELA (cd)	MODELS
3000K	90	4.4W	General light	464	105	177	ILSP-SR-12-930-GL ILSPU-SR-12-930-GL

*USE MULTIPLIER TABLE BELOW FOR OTHER CCT AND CRI OUTPUT DATA

General light (3000K, 90CRI)



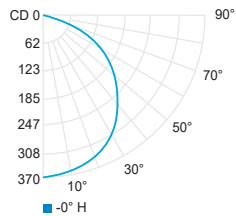
24" (600mm)



CCT (K)	CRI	LOAD (W)	OPTIC	LUMENS (lm)	EFFICACY (lm / W)	MAX CANDELA (cd)	MODELS
3000K	90	7.7W	General light	946	122	361	ILSP-SR-24-930-GL ILSPU-SR-24-930-GL

*USE MULTIPLIER TABLE BELOW FOR OTHER CCT AND CRI OUTPUT DATA

General light (3000K, 90CRI)



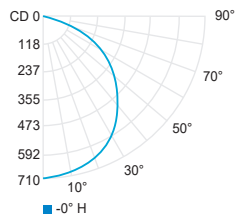
48" (1200mm)



CCT (K)	CRI	LOAD (W)	OPTIC	LUMENS (lm)	EFFICACY (lm / W)	MAX CANDELA (cd)	MODELS
3000K	90	14.5W	General light	1849	127	706	ILSP-SR-48-930-GL ILSPU-SR-48-930-GL

*USE MULTIPLIER TABLE BELOW FOR OTHER CCT AND CRI OUTPUT DATA

General light (3000K, 90CRI)



CCT options	2700K	3000K	3500K	4000K
CRI options	90CRI	90CRI	90CRI	90CRI
Multiplier	0.93	1	1.03	1.07

ACCESSORIES (TO BE ORDERED SEPARATELY).

EXTRA ADAPTOR

IPB49 - Adaptor IPB49 for Superrail pendant up/down 48" (1200mm)



ORDERING INFO

- - - **GL** -
FIXTURE

MODEL

ILSP - SR - Without adaptor **ILSPU - SR** - With adaptor for Superrail up / down ⁽¹⁾

LENGTH

12 - (300mm) **24** - (600mm) **48** - (1200mm)

LED

927 - 2700K, 90CRI **930** - 3000K, 90CRI **935** - 3500K, 90CRI **940** - 4000K, 90CRI

OPTICS

GL - General light

FINISH ⁽²⁾

01 - White **02** - Black

⁽¹⁾ Adaptor IPB49 for Superrail up / down model included.
⁽²⁾ The flexible strip is always white. The adaptor is available in black or white.