




The WOW lighting system is an innovative solution for urban lighting applications such as parking areas, roadways, parks and other pedestrian areas. The system takes advantage of the latest advancement in LED technology. With an organic design and three sizes, the WOW is well suited for today's modern environment for new or existing installations.

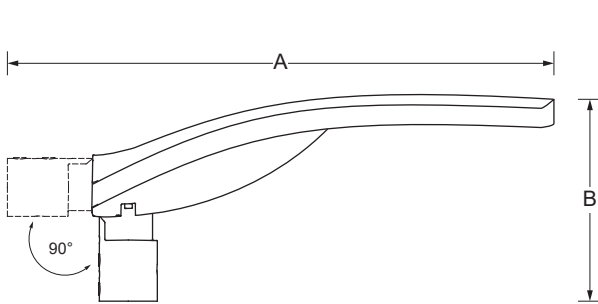
**Luminaire characteristics:**

**Power input:** 36W to 170W  
**Lumens:** 3035lm to 15 645lm (delivered)  
**Luminaire efficacy:** 72 to 100lm/W

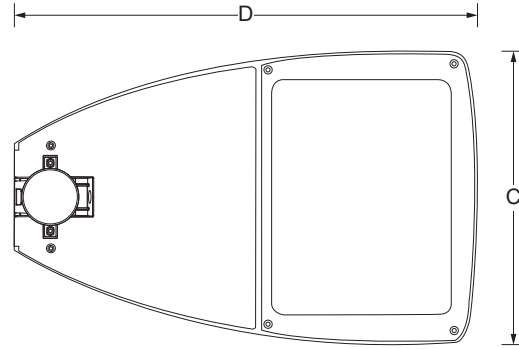
<b>Source:</b>	White LED (LM-80 Tested) 3000K: 70CRI 4000K: 70CRI
<b>Lumen maintenance:</b>	90% of initial lumens at 100 000 hours (L90) at Ta 104°F (LM79 tested)
<b>Optics:</b>	High efficiency optical system made of a silver coated aluminum delivering 98% of reflectivity. Available in 4 different IESNA distributions: Type II, III, IV and Type III with comfort optic for reduced glare.
<b>Material:</b>	Optical assembly and frame: Die-cast aluminum Reflector: Silver aluminum Protective screen: Sodium-calcium tempered sealing glass with customized silk-screening.
<b>Mounting:</b>	Pole or wall mounted using mounting accessories. Pole accessories designed for Ø4" (102mm) pole, or for Ø1 1/4" to 3" (46 to 76mm) tenon. See page 4 for details.
<b>Vibration:</b>	3G Vibration rating (ANSI C136.31)
<b>Electrical:</b>	High efficiency electronic power supply, rated at 50 000 hours, 120-277V. Supplied with 10' (3m) power cable.
<b>Dimming:</b>	Supplied standard with 0-10V dimmable power supply (Mini and Small: down to 30% , Large: down to 10% dimming range).
<b>Operating temperature:</b>	-40°F to 95°F (-40°C to 35°C).
<b>Finish:</b>	Gray (RAL9007) painted finish with a high level of weather and UV resistance. The semi-gloss finish coating is electrostatically applied, durable acrylic enamel baked at high temperatures for superior color retentive finish.
<b>Weight:</b>	Mini: 20.5lbs (9.3kg) Small: 27.3lbs (12.4kg) Large: 35.3lbs (16kg).
<b>Warranty:</b>	5 year limited warranty.
<b>Ratings:</b>	IP67, IK08 (IK07 Small).
<b>Certification:</b>	 cULus listed for Wet location

**DIMENSIONS**

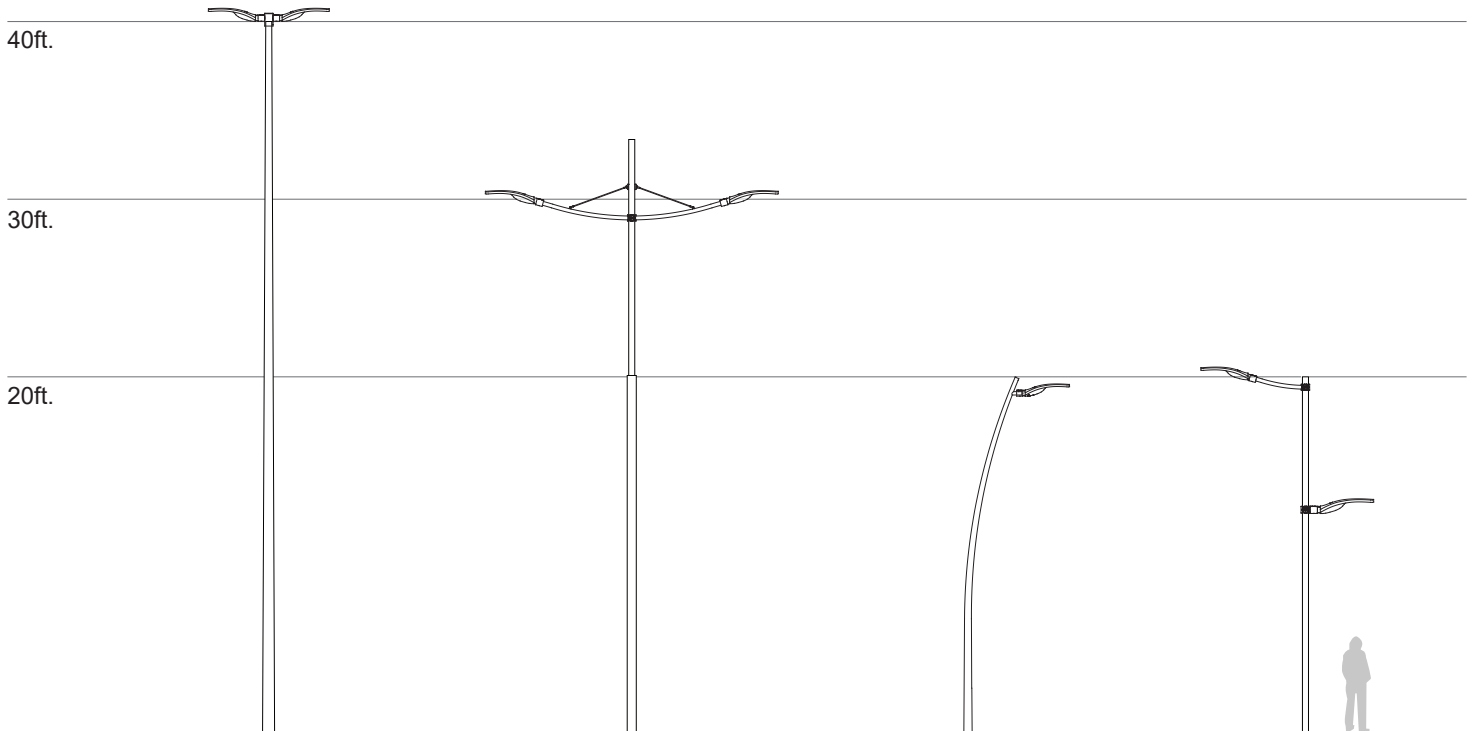
		A	B	C	D
MINI	in	29 <sup>3</sup> / <sub>8</sub>	12 <sup>1</sup> / <sub>8</sub>	12	24 <sup>1</sup> / <sub>2</sub>
	mm	746	325	306	621
SMALL	in	34 <sup>1</sup> / <sub>2</sub>	14	16 <sup>3</sup> / <sub>8</sub>	29 <sup>7</sup> / <sub>8</sub>
	mm	875	354	415	758
LARGE	in	36 <sup>3</sup> / <sub>8</sub>	14 <sup>1</sup> / <sub>4</sub>	19 <sup>1</sup> / <sub>8</sub>	31 <sup>3</sup> / <sub>4</sub>
	mm	922	359	505	807



**SIDE VIEW**



**BOTTOM VIEW**



**POLE TYPE:**

TAPERED

STEPPED

CURVED

STRAIGHT

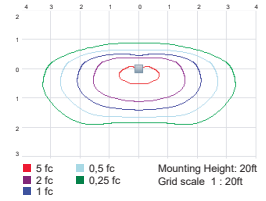
**PHOTOMETRIC DATA**

Visit [www.iguzzini.com/us](http://www.iguzzini.com/us) for complete photometric data.

**TYPE II**

K	SIZE	MODEL	lm/W	LUMENS	WATT	B.U.G.
3000	MINI	I.E776	83	3 035	36	B1 - U0 - G1
		I.E777	84	4 495	53	B1 - U0 - G1
		I.E778	78	8 710	112	B2 - U0 - G2
	SMALL	I.E762	79	4 530	57	B1 - U0 - G1
		I.E764	79	8 970	113	B2 - U0 - G2
		I.E766	80	12 725	159	B2 - U0 - G2
LARGE	I.E770	86	12 930	150	B2 - U0 - G2	
	I.E772	82	13 890	170	B3 - U0 - G2	
4000	MINI	I.E757	94	3 415	36	B1 - U0 - G1
		I.E758	95	5 055	53	B1 - U0 - G1
		I.E759	87	9 800	112	B2 - U0 - G2
	SMALL	I.E743	89	5 100	57	B1 - U0 - G1
		I.E745	89	10 085	113	B2 - U0 - G2
		I.E747	90	14 325	159	B3 - U0 - G2
	LARGE	I.E751	97	14 550	150	B3 - U0 - G2
		I.E753	92	15 630	170	B3 - U0 - G2

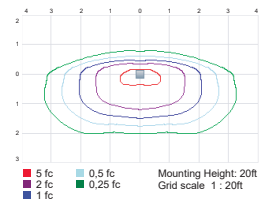
**I.E766 - Type II (3000K, 70 CRI)**



**TYPE III**

K	SIZE	MODEL	lm/W	LUMENS	WATT	B.U.G.
3000	SMALL	I.E763	79	4 535	57	B1 - U0 - G1
		I.E765	79	8 980	113	B2 - U0 - G2
		I.E767	80	12 735	159	B2 - U0 - G2
	LARGE	I.E771	86	12 945	150	B2 - U0 - G2
		I.E773	81	13 905	170	B3 - U0 - G2
4000	SMALL	I.E744	89	5 105	57	B1 - U0 - G1
		I.E746	89	10 100	113	B2 - U0 - G2
		I.E748	90	14 340	159	B3 - U0 - G2
	LARGE	I.E752	97	14 565	150	B3 - U0 - G2
		I.E754	92	15 645	170	B3 - U0 - G2

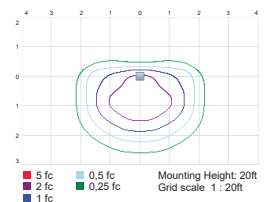
**I.E767 - Type III (3000K, 70 CRI)**



**TYPE III COMFORT**

K	SIZE	MODEL	lm/W	LUMENS	WATT	B.U.G.
3000	MINI	I.E780	72	5 530	87	B1 - U0 - G1
	SMALL	I.E769	72	8 410	116	B1 - U0 - G2
	LARGE	I.E775	83	11 150	134	B1 - U0 - G2
4000	MINI	I.E761	81	6 215	77	B1 - U0 - G1
	SMALL	I.E750	82	9 465	116	B1 - U0 - G2
	LARGE	I.E756	93	12 545	134	B1 - U0 - G2

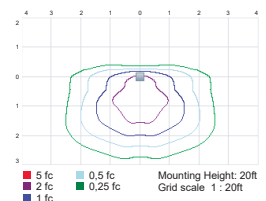
**I.E769 - Type IIIC (3000K, 70 CRI)**



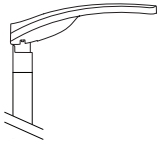
**TYPE IV**

K	SIZE	MODEL	lm/W	LUMENS	WATT	B.U.G.
3000	MINI	I.E779	77	5 950	77	B1 - U0 - G2
	SMALL	I.E768	78	9 025	116	B1 - U0 - G2
	LARGE	I.E774	89	11 975	134	B1 - U0 - G2
4000	MINI	I.E760	88	6 695	77	B1 - U0 - G2
	SMALL	I.E749	88	10 155	116	B1 - U0 - G2
	LARGE	I.E755	100	13 470	134	B1 - U0 - G2

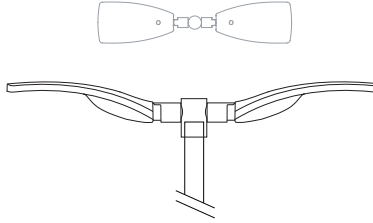
**I.E768 - Type IV (3000K, 70 CRI)**



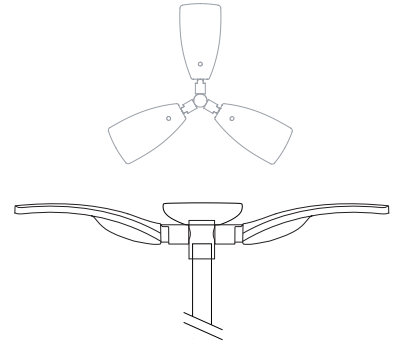
**MOUNTING OPTIONS**



**T1 - SINGLE POLE TOP**  
for pole top with tenon Ø1¼" to 3" (46-76mm)



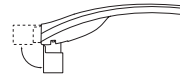
**T2 - DOUBLE POLE TOP**  
for pole top Ø4" (102mm)



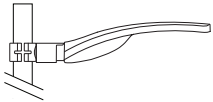
**T3 - TRIPLE POLE TOP**  
for pole top Ø4" (102mm)



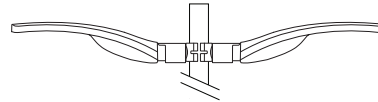
**W - WALL MOUNT WITH FIXATION PLATE**  
Ø6¾" (162mm)



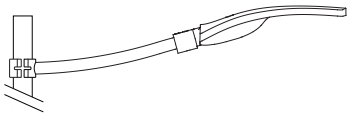
**U - UNIVERSAL SINGLE MOUNT**  
for tenon Ø1¼" to 3" (46-76mm)



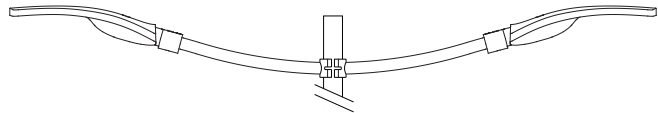
**I1 - INTERMEDIATE ARM MOUNT**  
for pole section Ø4" (102mm)



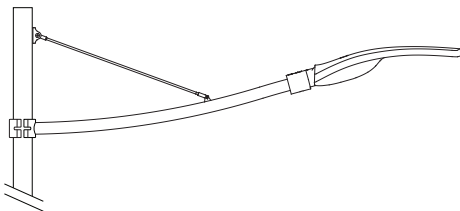
**I2 - DOUBLE INTERMEDIATE ARM MOUNT**  
for pole section Ø4" (102mm)



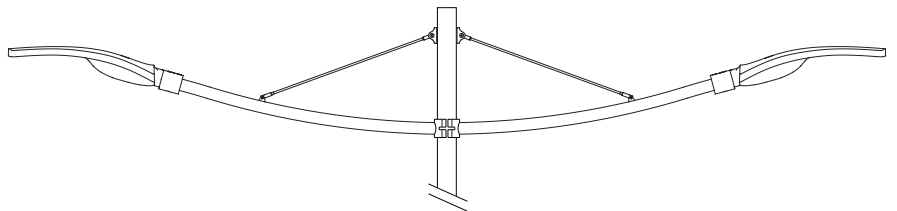
**A1 - SHORT ARM 35½" (900mm)**  
for pole section Ø4" (102mm)



**A2 - DOUBLE SHORT ARM 35½" (900mm)**  
for pole section Ø4" (102mm)



**B1 - LONG ARM 59" (1500mm)**  
for pole section Ø4" (102mm)



**B2 - DOUBLE LONG ARM 59" (1500mm)**  
for pole section Ø4" (102mm)

**ORDERING INFO**

**I - UNV - 15 - D10**  
FIXTURE

MODEL	OPTIC	3000K, 70CRI			4000K, 70CRI		
MINI	TYPE II	<input type="checkbox"/> E776 - 36W	<input type="checkbox"/> E777 - 53W	<input type="checkbox"/> E778 - 112W	<input type="checkbox"/> E757 - 36W	<input type="checkbox"/> E758 - 53W	<input type="checkbox"/> E759 - 112W
	TYPE III C	<input type="checkbox"/> E780 - 77W			<input type="checkbox"/> E761 - 77W		
	TYPE IV	<input type="checkbox"/> E779 - 77W			<input type="checkbox"/> E760 - 77W		
SMALL	TYPE II	<input type="checkbox"/> E762 - 57W	<input type="checkbox"/> E764 - 113W	<input type="checkbox"/> E766 - 159W	<input type="checkbox"/> E743 - 57W	<input type="checkbox"/> E745 - 113W	<input type="checkbox"/> E747 - 159W
	TYPE III	<input type="checkbox"/> E763 - 57W	<input type="checkbox"/> E765 - 113W	<input type="checkbox"/> E767 - 159W	<input type="checkbox"/> E744 - 57W	<input type="checkbox"/> E746 - 113W	<input type="checkbox"/> E748 - 159W
	TYPE III C	<input type="checkbox"/> E769 - 116W			<input type="checkbox"/> E750 - 116W		
	TYPE IV	<input type="checkbox"/> E768 - 116W			<input type="checkbox"/> E749 - 116W		
LARGE	TYPE II	<input type="checkbox"/> E770 - 150W	<input type="checkbox"/> E772 - 170W		<input type="checkbox"/> E751 - 150W	<input type="checkbox"/> E753 - 170W	
	TYPE III	<input type="checkbox"/> E771 - 150W	<input type="checkbox"/> E773 - 170W		<input type="checkbox"/> E752 - 150W	<input type="checkbox"/> E754 - 170W	
	TYPE III C	<input type="checkbox"/> E775 - 134W			<input type="checkbox"/> E756 - 134W		
	TYPE IV	<input type="checkbox"/> E774 - 134W			<input type="checkbox"/> E755 - 134W		

**VOLTAGE**

UNV - 120-277V

**MOUNTING**

- T1 - Pole Top     
  U - Universal Single Mount     
  I1 - Intermediate Arm     
  A1 - Small Arm     
  B1 - Large Arm  
 T2 - Double Pole Top     
  W - Wall Mounted Fixation Plate     
  I2 - Double Intermediate Arm     
  A2 - Double Small Arm     
  B2 - Double Large Arm  
 T3 - Triple Pole Top

**FINISH**

15 - Gray

**DIMMING**

D10 - 0-10V

**POLE Ø4" (Ø 102mm)**

With tenon Ø1¼" to 3", H:4" (Ø46 to 76mm, H:102mm)

- SUPPLIED BY OTHER  
 CONTACT FACTORY FOR POLE SPECIFICATION  
 SUPPLIED BY IGUZZINI NORTH AMERICA  
 CONTACT FACTORY FOR POLE SPECIFICATION

HEIGHT: \_\_\_\_\_ FT

- TYPE:       Tapered       Stepped  
              Curved       Straight

INSTALLATION: Anchor bolts only

ACCESS DOOR: Included (3' from ground)

- MATERIAL:     Aluminum  
                   Steel

- FINISH:       15 - Gray RAL9007  
                   Custom RAL \_\_\_\_\_

**CONFIGURATION**

MOUNT	STRAIGHT	STEPPED	TAPERED	CURVED
A1	YES	YES	N/A	N/A
A2	YES	YES	N/A	N/A
B1	YES	YES	N/A	N/A
B2	YES	YES	N/A	N/A
I1	YES	YES	N/A	N/A
I2	YES	YES	N/A	N/A
T1	YES	YES	YES	N/A
T2	YES	YES	YES	N/A
T3	YES	YES	YES	N/A
U	N/A	N/A	N/A	YES

**EPA & WEIGHT**

MOUNT	MINI		SMALL		LARGE	
	WEIGHT (lbs)	EPA (ft²)	WEIGHT (lbs)	EPA (ft²)	WEIGHT (lbs)	EPA (ft²)
A1	36.4	1.4	43.2	1.8	51.1	2.3
A2	63.1	2.5	76.7	3.4	92.6	4.4
B1	43	1.9	49.8	2.3	57.8	2.8
B2	76.3	3.6	89.9	4.4	105.8	5.4
I1	36.4	1.0	43.2	1.2	51.1	1.5
I2	63.1	1.9	76.7	2.1	92.6	2.7
T1	23.2	0.9	30.0	1.0	38.0	1.3
T2	49.8	1.7	63.5	2.0	79.4	2.5
T3	71.4	2.3	91.9	2.7	115.7	3.6
U	20.5	0.6	27.3	0.8	35.3	1.1