

BLADE "R"

WARNING:

THE SAFETY OF THIS FIXTURE IS GUARANTEED ONLY IF YOU COMPLY WITH THESE INSTRUCTIONS; REMEMBER TO CONSERVE IN A SAFE PLACE.

ATTENTION:

LA SÉCURITÉ DE L'APPAREIL N'EST GARANTIE QU'EN CAS D'UTILISATION CORRECTE DES INSTRUCTIONS SUIVANTES; IL FAUT PAR CONSÉQUENT LES CONSERVER.

ATTENCIÓN:

LA SEGURIDAD DEL APARATO SE GARANTIZA SOLO CUMPLIENDO CUIDADOSAMENTE LAS SIGUIENTES INSTRUCCIONES; ES NECESARIO CONSERVARLAS.

ATTENZIONE:

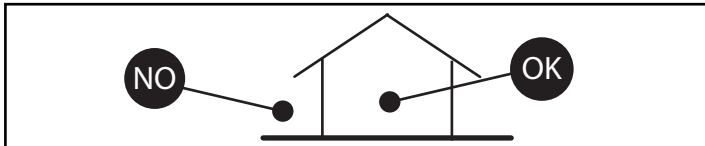
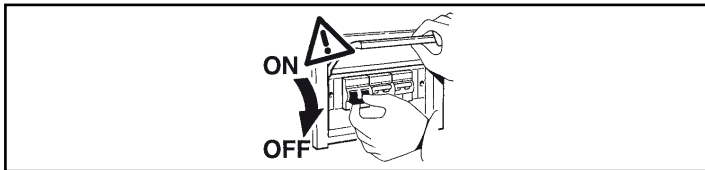
LA SICUREZZA DELL'APPARECCHIO È GARANTITA SOLO CON L'USO APPROPRIATO DELLE SEGUENTI ISTRUZIONI; PERTANTO È NECESSARIO CONSERVARE.

EN INSTALL IN ACCORDANCE WITH NATIONAL ELECTRIC CODE, LOCAL AND FEDERAL CODE SPECIFICATION.

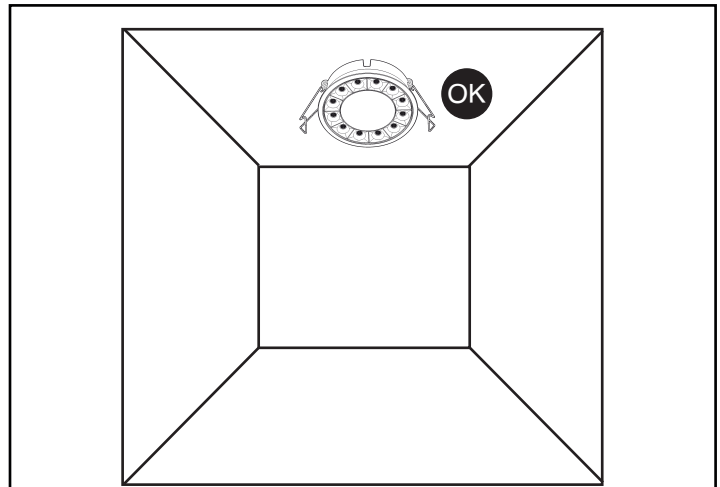
FR VEUILLEZ INSTALLER CE PRODUIT EN CONFORMITÉ AVEC LE CODE ÉLECTRIQUE NATIONAL ET LES SPÉCIFICATIONS DU CODE LOCAL ET FÉDÉRAL.

ES INSTALAR EL PRODUCTO RESPETANDO LAS NORMAS ELÉCTRICAS NACIONALES Y LAS ESPECIFICACIONES DE LAS NORMAS LOCALES Y FEDERALES.

IT SI PREGA DI INSTALLARE QUESTO CONFORMITÀ CON IL NATIONAL ELECTRICAL CODE E LE SPECIFICHE DEL CODICE LOCALE E FEDERALE.



ART.	COMMERCIAL CODE
QS03 - QS04 - QS05 - QS06 - QS07 QS08 - QS09 - QS10 - QS11 - QS12 QS13 - QS14 - QW46 - QW47 - QW48	IBR06-TR
QT04 - QS27 - QS28 - QS29 - QS30 QS31 - QS32 - QS33 - QS34 - QS35 QS36 - QS37 - QW49 - QW50 - QW51	IBR12-TR
QS38 - QS39 - QS40 - QS41 - QS42 QS43 - QS44 - QS45 - QS46 - QS47 QS48 - QS49 - QW52 - QW53 - QW54	IBR18-TR
QS50 - QS51 - QS52 - QS53 - QS54 QS55 - QW55 - QW56 - QW57 QW58 - QW59 - QW60	IBR30-TR
QS56 - QS57 - QS58 - QS59 - QS60 QS61 - QS62 - QS63 - QS64 - QS65 QS66 - QS67 - QW61 - QW62 - QW63	IBR06-TL
QS80 - QS81 - QS82 - QS83 - QS84 QS85 - QS86 - QS87 - QS88 - QS89 QS90 - QS91 - QW64 - QW65 - QW66	IBR12-TL
QS92 - QS93 - QS94 - QS95 - QS96 QS97 - QS98 - QS99 - QT00 - QT01 QT02 - QT03 - QW67 - QW68 - QW69	IBR18-TL

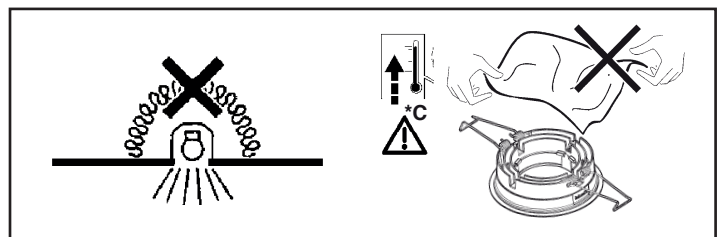
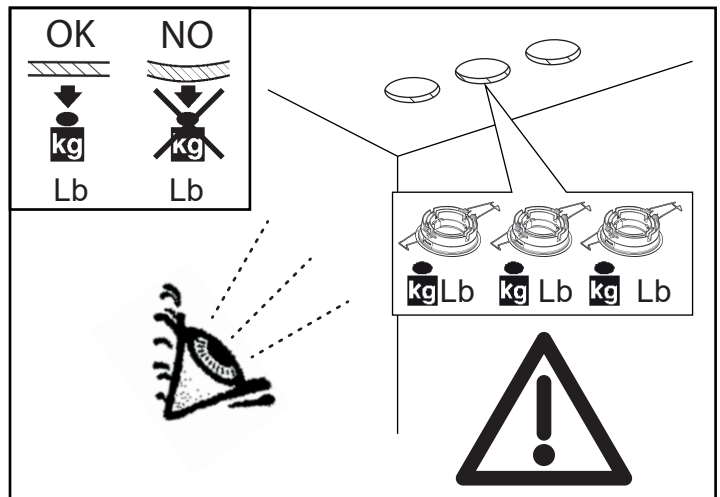


EN All installation positions must comply with those illustrated. In the event of any doubt, contact iGuzzini.

FR Pour les positions d'installation, se conformer aux positions illustrées ; contacter la société iGuzzini en cas de nécessité

ES Respetar las posiciones de instalación ilustradas y, en caso de duda, contactar con iGuzzini

IT Per le posizioni di installazione, attenersi a quelle illustrate, eventualmente contattare la iGuzzini.



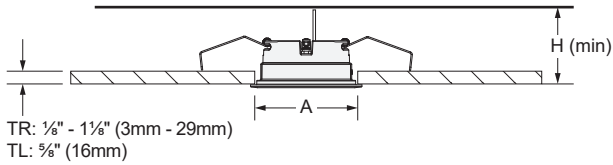
EN N.B.: Fixtures not suitable to be covered in thermally-insulating material.

FR N.B.: Appareils ne pouvant pas être couverts de matériau d'isolation thermique

ES NOTA: Aparatos no aptos para ser cubiertos de material térmicamente aislante

IT N.B.: Apparecchi non idonei ad essere coperti di materiale termicamente isolante

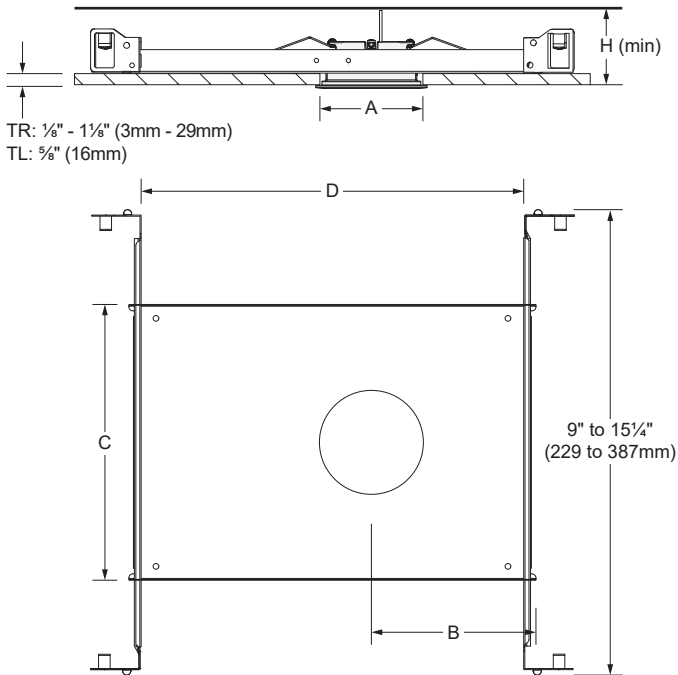
**REMODEL INSTALLATION
(NO PLASTER FRAME)**



ART.	Cut-out (A)	H
IBR06-TR-RF	Ø 3¼" (Ø 83mm)	4" (102mm)
IBR06-TL-RF	Ø 3¾" (Ø 86mm)	6" (152mm)
IBR12-TR-RF	Ø 5" (Ø 127mm)	4" (102mm) ⁽¹⁾ 4½" (114mm) ⁽²⁾
IBR12-TL-RF	Ø 5½" (Ø 130mm)	5" (127mm) ⁽¹⁾ 6½" (165mm) ⁽²⁾
IBR18-TR-RF	Ø 6¾" (Ø 172mm)	4" (102mm)
IBR18-TL-RF	Ø 6¾" (Ø 172mm)	5" (127mm)
IBR30-TR-RF	Ø 6¾" (Ø 172mm)	4" (102mm)

⁽¹⁾ Clearance rated for **LTE** or **D10** dimming.
⁽²⁾ Clearance rated for **D2B**, **D3** or **D01** dimming.

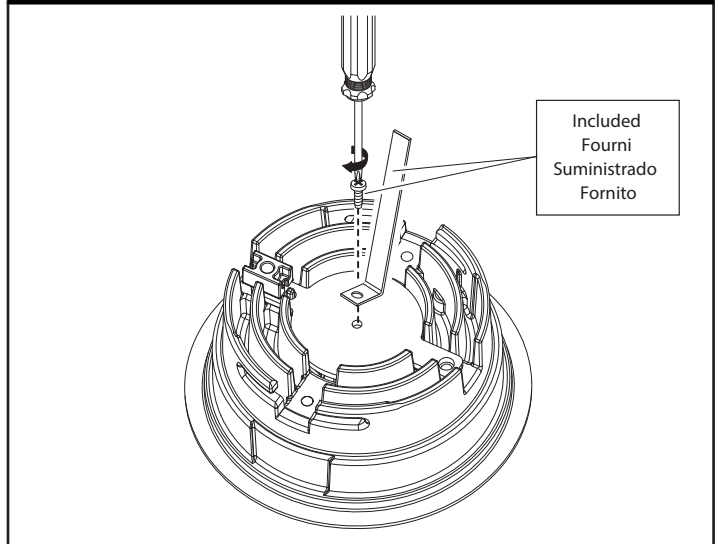
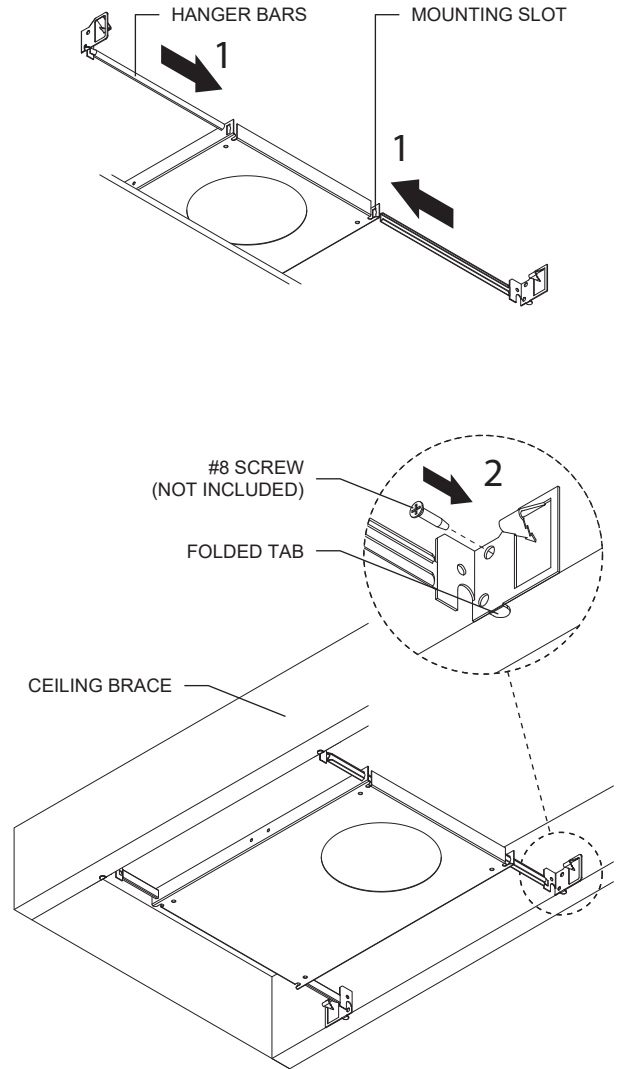
**NEW CONSTRUCTION
WITH PLASTER FRAME**

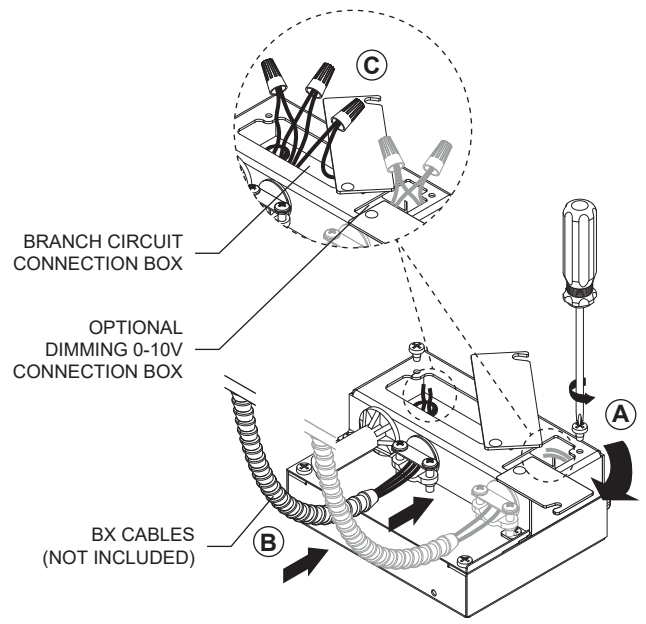
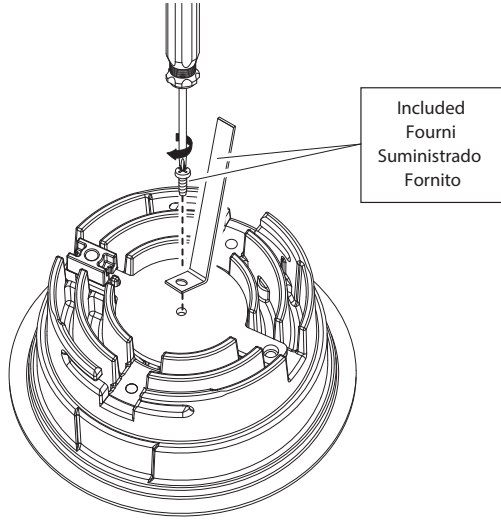


ART.	Cut-out (A)	B	C X D	H
IBR06-TR-NC	Ø 3¼" (Ø 83mm)	5½" (130mm)	8⅝" x 12" (219mm x 304mm)	4" (102mm)
IBR06-TL-NC	Ø 3¾" (Ø 86mm)			6" (152mm)
IBR12-TR-NC	Ø 5" (Ø 127mm)	3½" (89mm)	8⅝" x 12" (219mm x 304mm)	4" (102mm) ⁽¹⁾ 4½" (114mm) ⁽²⁾
IBR12-TL-NC	Ø 5½" (Ø 130mm)			5" (127mm) ⁽¹⁾ 6½" (165mm) ⁽²⁾
IBR18-TR-NC	Ø 6¾" (Ø 172mm)	6¾" (171mm)	9" x 18" (229mm x 458mm)	4" (102mm)
IBR18-TL-NC	Ø 6¾" (Ø 175mm)	6¾" (162mm)	8⅝" x 12" (219mm x 304mm)	5" (127mm)
IBR30-TR-NC	Ø 6¾" (Ø 172mm)	6¾" (171mm)	9" x 18" (229mm x 458mm)	4" (102mm)

⁽¹⁾ Clearance rated for **LTE** or **D10** dimming.
⁽²⁾ Clearance rated for **D2B**, **D3** or **D01** dimming.

**PLASTER FRAME
INSTALLATION**



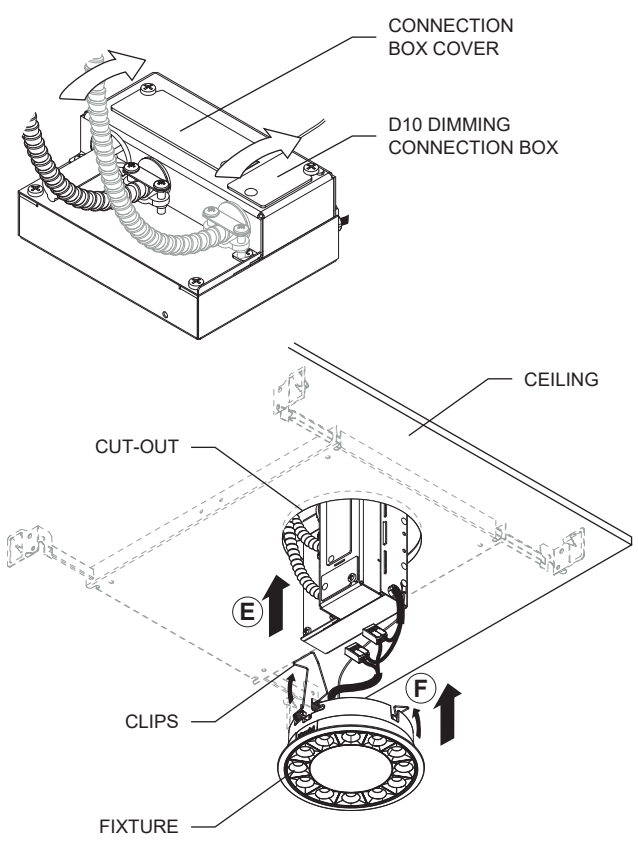


TRIAC / ELV (LTE) or 0-10V (D10) DIMMING WIRING

<p>DIMMING (LTE) TRIAC/ELV (120V ONLY) DAISY CHAIN POSSIBLE</p> <p>QUICK CONNECTORS (INCLUDED)</p> <p>CONNECTION BOX</p>	<p>DIMMING 0-10V (D10) 120-277V NO DAISY CHAIN</p>
---	---

	N	WHITE - BLANC - BLANCO - BIANCO	By others Non fournis No suministrado Non fornito
		YELLOW/GREEN - JAUNE/VERT AMARILLO/VERDE - GIALLO /VERDE	
	L	BLACK - NOIR - NEGRO - NER	
	+ DIM	PURPLE - VIOLET - PÚRPURA - VIOLA	
	- DIM	GREY - GRIS - GRIS - GRIGIO	

	N	WHITE - BLANC - BLANCO - BIANCO	By others Non fournis No suministrado Non fornito
		YELLOW/GREEN - JAUNE/VERT AMARILLO/VERDE - GIALLO /VERDE	
	L	BLACK - NOIR - NEGRO - NER	
	+ DIM	PURPLE - VIOLET - PÚRPURA - VIOLA	
	- DIM	GREY - GRIS - GRIS - GRIGIO	



LUTRON HI LUME® 1% ECOSYSTEM™ (D2B)
DIMMING WIRING

	N WHITE - BLANC - BLANCO - BIANCO	By others Non fournis No suministrado Non fornito
	YELLOW/GREEN - JAUNE/VERT AMARILLO/VERDE - GIALLO /VERDE	
	L BLACK - NOIR - NEGRO - NER	
	DIM PURPLE - VIOLET - PÚRPURA - VIOLA	
	DIM PURPLE - VIOLET - PÚRPURA - VIOLA	

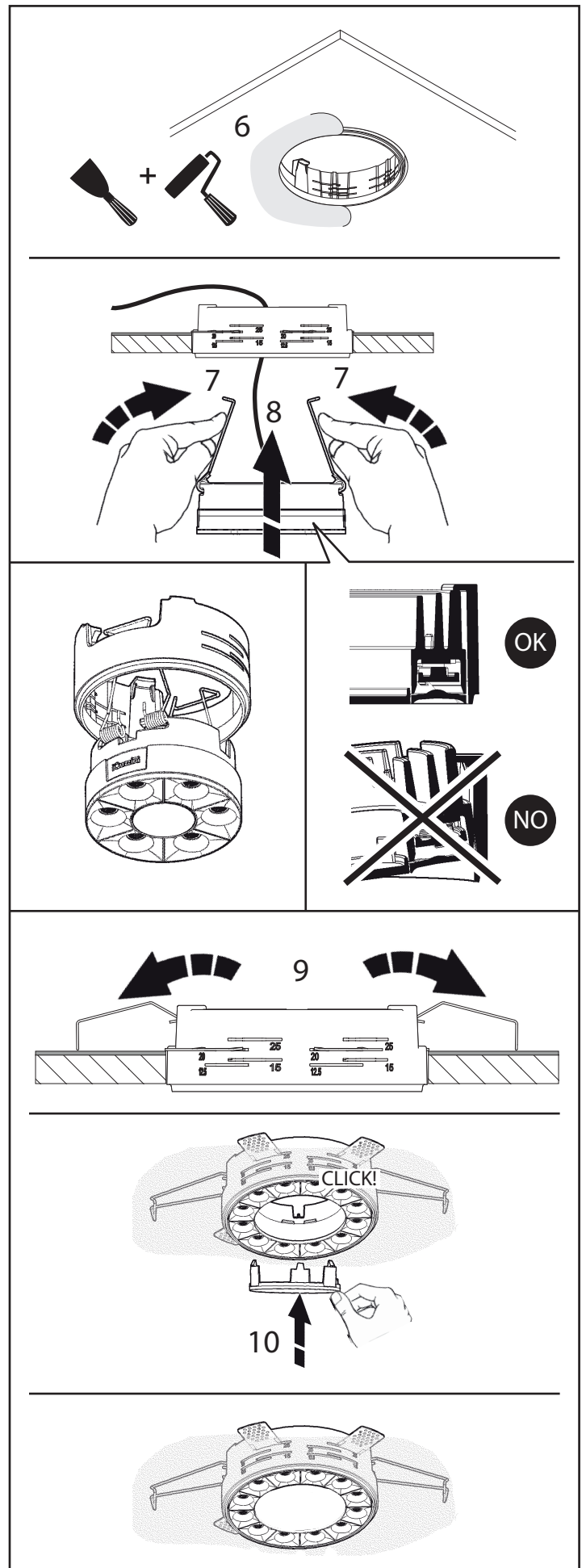
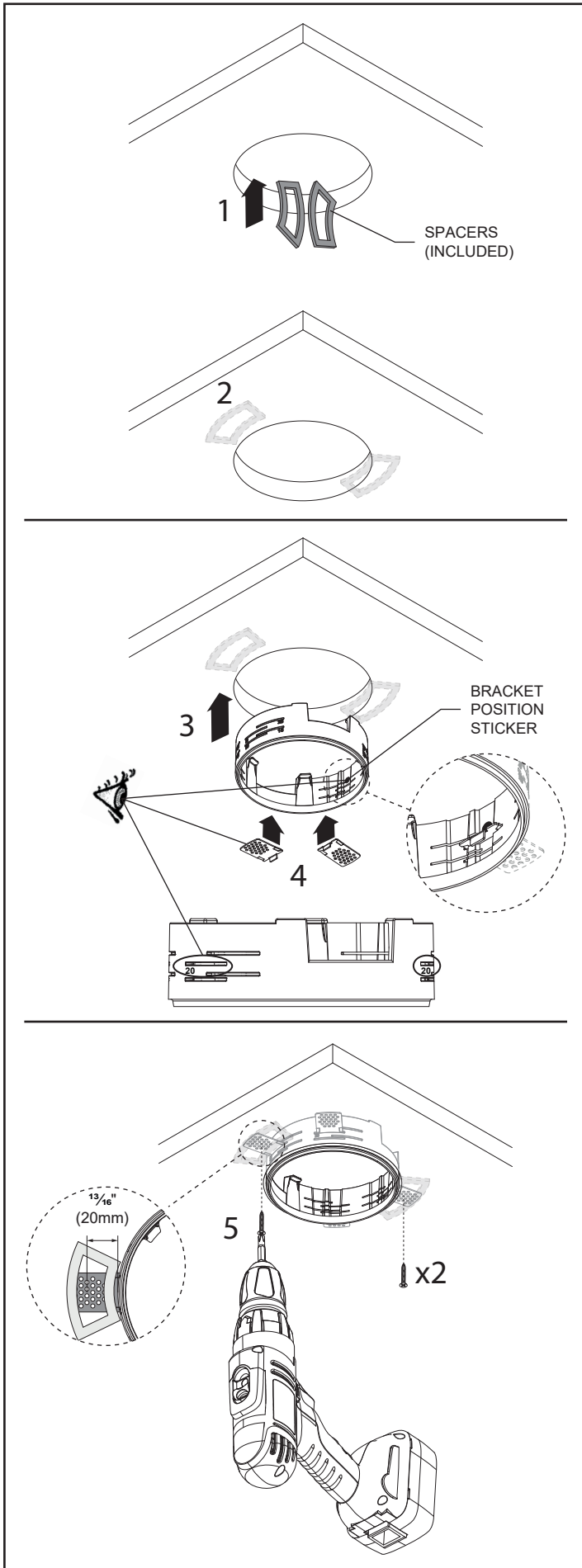
0-10V ECODRIVE (D01)
LUTRON HI LUME® 1% 2-WIRE (D3) DIMMING WIRING

	N WHITE - BLANC - BLANCO - BIANCO	By others Non fournis No suministrado Non fornito
	YELLOW/GREEN - JAUNE/VERT AMARILLO/VERDE - GIALLO /VERDE	
	L BLACK - NOIR - NEGRO - NER	
	+ DIM PURPLE - VIOLET - PÚRPURA - VIOLA	
	- DIM GREY - GRIS - GRIS - GRIGIO	

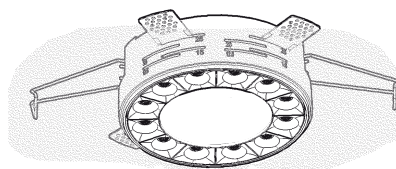
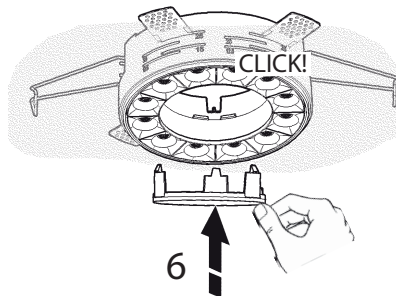
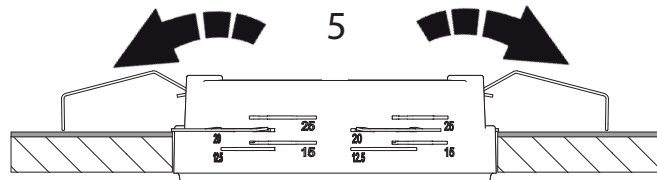
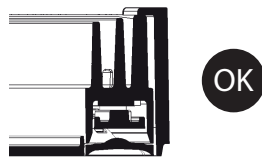
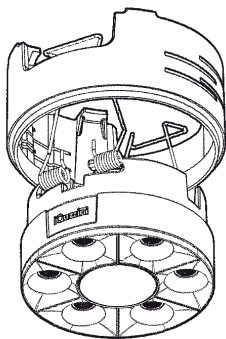
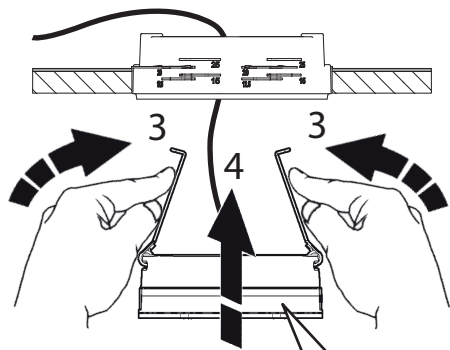
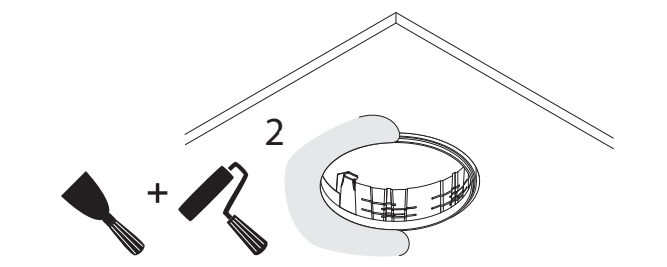
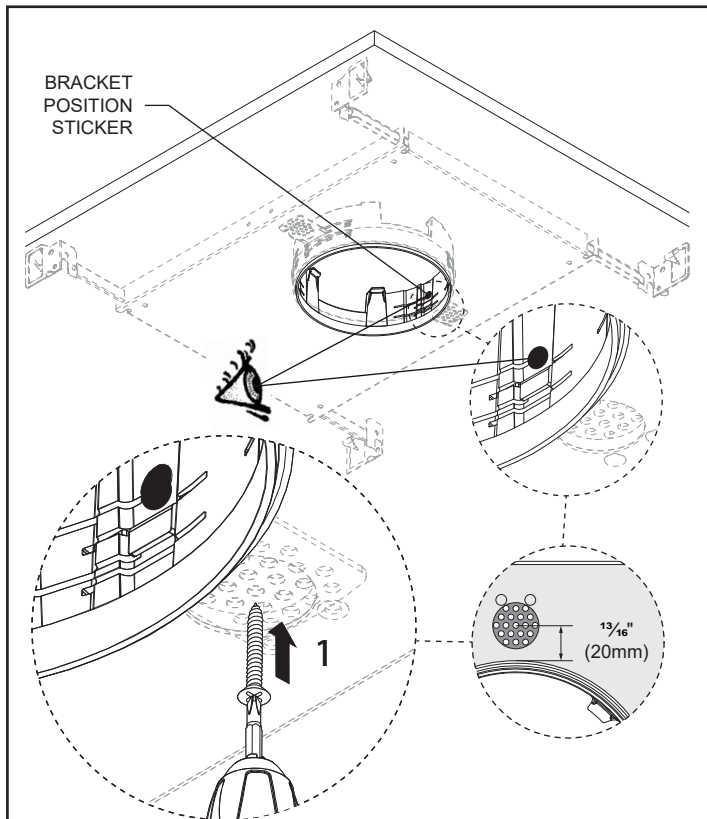


TRIM

TRIMLESS REMODEL



TRIMLESS PLASTER FRAME



EN N.B.: For information on LED replacement please contact iGuzzini.

FR N.B.: Pour procéder au remplacement de la LED, adressez-vous à la société iGuzzini.

ES NOTA: Para sustituir el LED llame a la empresa iGuzzini.

IT N.B.: Per la sostituzione del LED contattare l'azienda iGuzzini.