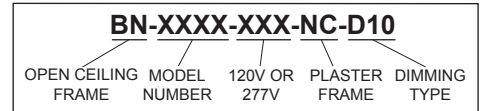


IMPORTANT - READ CAREFULLY BEFORE INSTALLING FIXTURE. RETAIN THESE INSTRUCTIONS FOR FUTURE REFERENCE.
 THIS PRODUCT MUST BE INSTALLED IN ACCORDANCE WITH THE NATIONAL ELECTRICAL CODE AND ALL APPLICABLE LOCAL CODES, BY A PERSON FAMILIAR WITH THE CONSTRUCTION AND OPERATION OF THE PRODUCT, AND THE HAZARDS INVOLVED. PROPER GROUNDING IS REQUIRED FOR SAFETY.

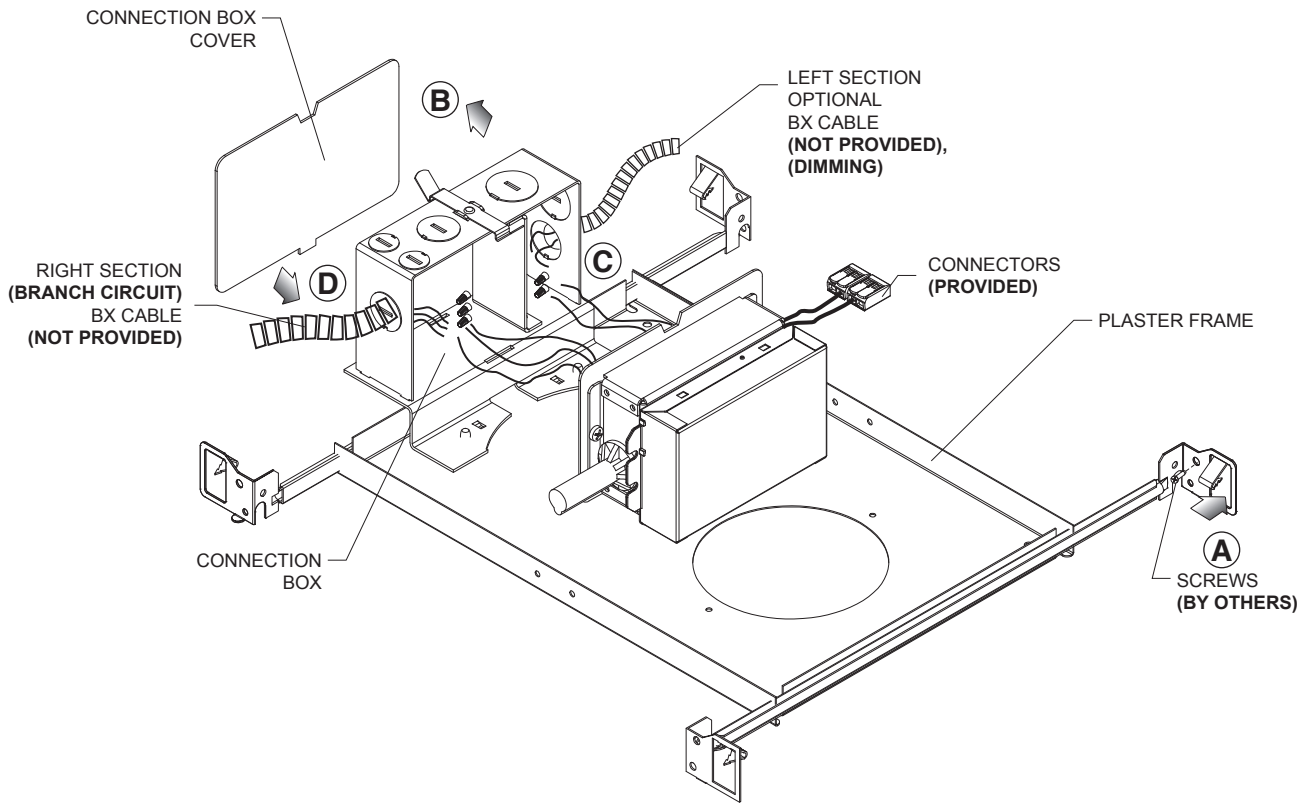
I.ME27, I.ME28, I.ME29, I.ME30, I.ME32, I.MP13, I.MP14, I.MP15

STEP 1

- A - INSTALL PLASTER FRAME TO CEILING STRUCTURE USING SCREWS (BY OTHERS)
- B - UNCLIP CONNECTION BOX COVER FROM CONNECTION BOX.
- C - MAKE ALL NECESSARY CONNECTIONS IN CONNECTION BOX. (SEE WIRING DIAGRAM)
- D - CLIP CONNECTION BOX COVER ON THE CONNECTION BOX. MAKE SURE ALL ELECTRICAL WIRING IS WELL PLACED IN THE CONNECTION BOX.

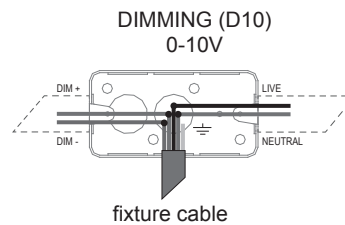
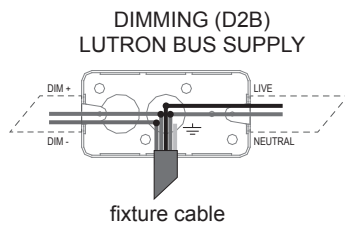


MODEL	MOUNTING
I.ME27	BN-MXXX-XXX-NC BN-MXXX-XXX-NC-D10 BN-MXXX-XXX-NC-D2B
I.ME28	
I.ME29	
I.ME30	
I.ME32	
I.MP13	
I.MP14	
I.MP15	



C

LIVE	BLACK
NEUTRAL	WHITE
≡	GREEN
DIM + / -	PURPLE
DIM -	GRAY



*junction box for reference only

STEP 2

- E - MAKE ALL NECESSARY PLASTER WORK AND MAKE CUT-OUT (SEE CUT-OUT TABLE).
- F - USE THE PROVIDED CONNECTORS TO CONNECT THE FIXTURE WIRES TO CONNECTION BOX WIRES.
- G - INSERT FIXTURE ASSEMBLY IN CUT-OUT BY FIRMLY PUSHING UP BOTH FASTENING HINGES AND INSTALL FIXTURE THROUGH CUT-OUT.

CUT-OUT DIMENSION
Ø7 3/4" (Ø195mm)

