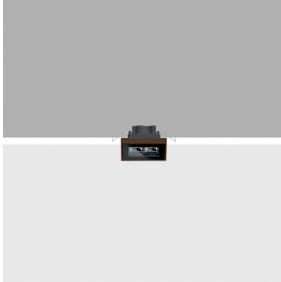


Last information update: March 2025

**Product configuration: BX56**

BX56: Recessed rectangular ceiling-mounted IP65 luminaire, compact body, Warm White LEDs, Flood optic.



**Product code**

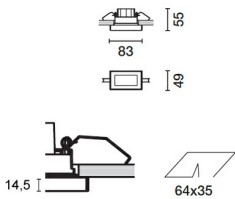
BX56: Recessed rectangular ceiling-mounted IP65 luminaire, compact body, Warm White LEDs, Flood optic.

**Technical description**

Miniaturised recessed rectangular luminaire with two optical elements with Warm White LED light sources - fixed Flood optic. Comprises a (round) optical compartment, frame, glass, outgoing cable and installation accessories to be ordered separately, where necessary. The optical compartment and frame are made of aluminium alloy and subjected to a multi-step pre-treatment process, the main phases of which include degreasing, fluorozirconic coating (a surface protective coat) and sealing (silane-based nanostructured coat). The successive painting phase is completed using primer and liquid acrylic paint, baked at 150°C, guaranteeing excellent resistance to atmospheric agents and UV rays. The glass-holder frame has plastic end caps. Tempered soda-lime closing glass, transparent with black screen-printing on the edge, 3mm thickness, attached to the frame with silicone. Silicone seals are placed between the glass-holder frame and the optical compartment. High-definition optic made of metallic thermoplastic, integrated into the black anti-glare screen towards the rear. Grade 304 stainless steel supporting springs. Connection cables supplied. Control gear not included; available with separate code. All external screws are made of A2 stainless steel.

**Installation**

Recessed installation with protruding frame on 1-25mm-thick suspended ceilings. Recess opening on suspended ceiling, size 64x35. Recessed installation with flush frame on 12.5mm- or 15mm-thick suspended ceilings, through adapter frame to be ordered separately. Installation on concrete ceilings using an outer casing to be ordered separately (flush and protruding frame).



**Colour**

Black / Black (43) | Black / White (47) | Grey / Black (74) | Rust  
 Brown / Black (I5) | Black/Glossy Urban Bronze (S7) |  
 Black/Glossy Copper (S8) | Black/Glossy Sand (S9) |  
 Black/Glossy Lead (T0) | White/Glossy Urban Bronze (T1) |  
 White/Glossy Copper (T2) | White/Glossy Sand (T3) |  
 White/Glossy Lead (T4) | Grey/Glossy Urban Bronze (T5) |  
 Grey/Glossy Copper (T6) | Grey/Glossy Sand (T7) | Grey/Glossy  
 Lead (T8) | Rust Brown/Glossy Urban Bronze (T9) | Rust  
 Brown/Glossy Copper (U0) | Rust Brown/Glossy Sand (U1) | Rust  
 Brown/Glossy Lead (U2)

**Weight (Kg)**

0.15

**Mounting**

ceiling recessed

**Wiring**

Constant current control gear (700mA) to be ordered separately.

**Notes**

Versions with black painted frame or with Neutral White LEDs available on request.

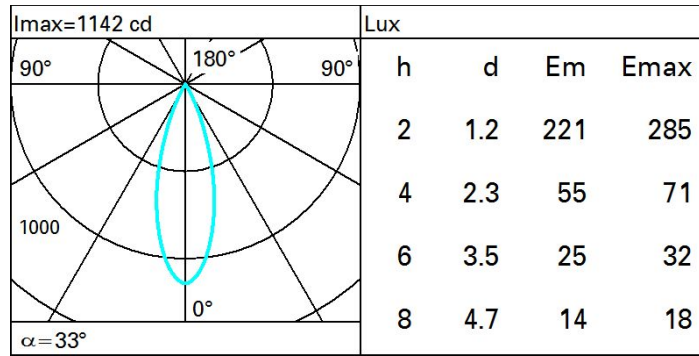
Complies with EN60598-1 and pertinent regulations



**Technical data**

Im system:	352	Colour temperature [K]:	3000
W system:	4	MacAdam Step:	3
Im source:	440	Life Time LED 1:	100,000h - L90 - B10 (Ta 25°C)
W source:	4	Life Time LED 2:	100,000h - L90 - B10 (Ta 40°C)
Luminous efficiency (Im/W, real value):	88	Lamp code:	LED
Im in emergency mode:	-	Number of lamps for optical assembly:	1
Total light flux at or above an angle of 90° [Lm]:	0	ZVEI Code:	LED
Light Output Ratio (L.O.R.) [%]:	80	Number of optical assemblies:	1
Beam angle [°]:	32°	Intervallo temperatura ambiente:	from -30°C to 50°C.
CRI (minimum):	90	LED current [mA]:	700
CRI (typical):	92		

**Polar**



**Isolux**

